

Halco
LIGHTING TECHNOLOGIES®

LUMINAIRE CATALOG

Volume 1.1



Table of Contents

Indoor Luminaires

	ProLED Downlight Retrofit Replaceable Trim Series	6
	ProLED Downlight Retrofit 18 Watt Replaceable Trim Series	11
	ProLED Surface Downlights	12
	ProLED Square Downlights	16
	ProLED Panel Light Series	20
	ProLED Surface Mount Kit	25
	ProLED Volumetric Light Series	26

Outdoor Luminaires

	LED Wallpack Series	32
	LED Wallpack Full Cutoff Series	34
	LED Flood Series	36
	LED Compact Flood	38
	LED Low Profile Canopy	40
	LED Large Canopy	42
	LED Dusk to Dawn Series	44
	LED Vaportight Series	46
	DecoStrand	48

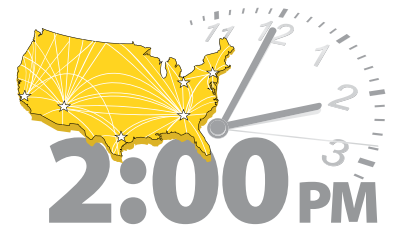


About Halco® Lighting Technologies

Established in 1974, Halco Lighting Technologies is a leader in lamp and ballast solutions. We are dedicated to providing you with the latest in energy efficient technologies; illustrated by our ProLED fixtures and full offering of ProLED lamps. Halco's fixture offering features indoor recessed solutions such as ProLED Panel, Volumetric Panel and Downlight Retrofit Series fixtures. Our broad selection of long life, energy efficient ProLED lamps is available in popular shapes with an array of color temperatures and beam spreads. Halco is your single source for LED lamps for replacement and retrofit applications.

Service

We measure our success by one standard - your satisfaction. Halco carries deep inventory of a broad SKU offering to assure we have what you need when you need it. With strategically located warehouses in Atlanta, Carlstadt, Cleveland, Houston, Los Angeles and Phoenix, orders placed by 2:00 PM local warehouse time ship the same day. Will-call and courier service is also available for your convenience.



Quality

Our in-house lighting laboratory allows us to perform a variety of testing services including photometric, light output, color metrics and electrical measurements, including IES LM-79 testing. This product testing facility operates under a quality management system that meets the requirements of ISO 17025 and ensures continuous quality control and outstanding product performance.

Quality Assurance

Halco's Quality Assurance policy ensures we deliver on our commitment to your satisfaction. If our product does not perform according to specifications, rest assured we'll provide a replacement or credit.

• Performance

Halco luminaires and lamps are backed by a warranty you can rely on. Retrofit, Surface, Square, Panel and Volumetric lights are backed by a 5-year limited warranty. Wallpack, Wallpack Cutoff, Flood, Compact, Low Profile, Large Canopy, Dusk to Dawn and Vaportight are also backed by a 5-year limited warranty. DecoStrand is backed by a 2-Year limited warranty.

5
Limited Warranty

Indoor Luminaires





ProLED Downlight Retrofit Replaceable Trim Series

Applications

Office
Lobby
Hospitality
Retail
Conference Room
Markets
Commercial
Residential

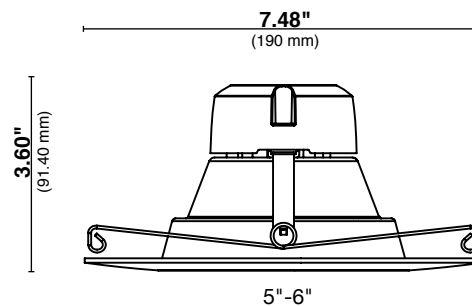
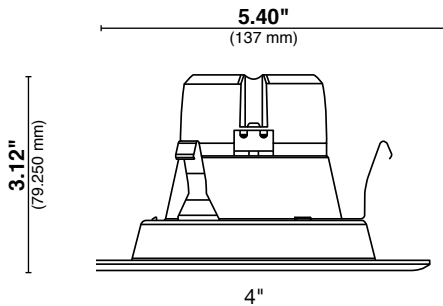
Long life and energy efficient replacement for lamps in existing 4" or 5" - 6" recessed housings



Specifications

- 5" - 6" fixture includes 2 additional spring clips for recessed cans that do not use torsion springs Umbilical E26 socket assembly included, GU24 adapter available
- E26 Socket assembly included, GU24 Adapter available
- 2700K and 3000K lamps' performance meets California Quality Lamp Specifications
- UL Classified for damp locations
- Low profile design compatible with 4" or 5" - 6" recessed downlight fixtures
- Dimmable to 5% for design flexibility
- ENERGY STAR certified
- 5-year limited warranty

Dimensions



Ordering Information



	Watt	Product #	Product Code	Volts	Color Temp.	CRI	Lumens	Useful Life*	Pkg. Qty.	Fixture Size	Equivalent Wattage
⊕	9	99924	DL4FR9/927/RT/LED ♦	120	2700K	90	600	50,000	1/12	4"	50W
⊕	9	99925	DL4FR9/930/RT/LED ♦	120	3000K	90	600	50,000	1/12	4"	50W
⊕	9	99926	DL4FR9/940/RT/LED ♦	120	4000K	90	600	50,000	1/12	4"	50W
⊕	9	99927	DL4FR9/950/RT/LED ♦	120	5000K	90	600	50,000	1/12	4"	50W
⊕	12	99920	DL6FR12/927/RT/LED ♦	120	2700K	90	800	50,000	1/6	5"-6"	65W
⊕	12	99921	DL6FR12/930/RT/LED ♦	120	3000K	90	800	50,000	1/6	5"-6"	65W
⊕	12	99922	DL6FR12/940/RT/LED ♦	120	4000K	90	800	50,000	1/6	5"-6"	65W
⊕	12	99923	DL6FR12/950/RT/LED ♦	120	5000K	90	800	50,000	1/6	5"-6"	65W

* Useful Life is defined as the point in time at which the LED will maintain at least 70% of its initial lumens. The LED will continue to burn past this point, but at decreased light levels.
Warranty – Commercial / Industrial: This product is warranted for 5 years from the date of purchase, based on 10 hours of use per day.

⊕ NEW ITEM

Represents lamps that are ENERGY STAR® certified.

♦ May not be compatible with all dimming systems, dimming performance may vary by system, please check the website www.halcolighting.com/ProLEDdim for up-to-date dimmer compatibility information. Use on incompatible systems may shorten lamp life.

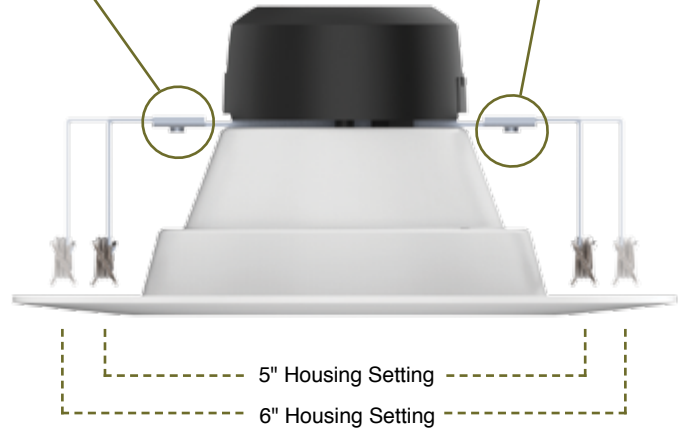
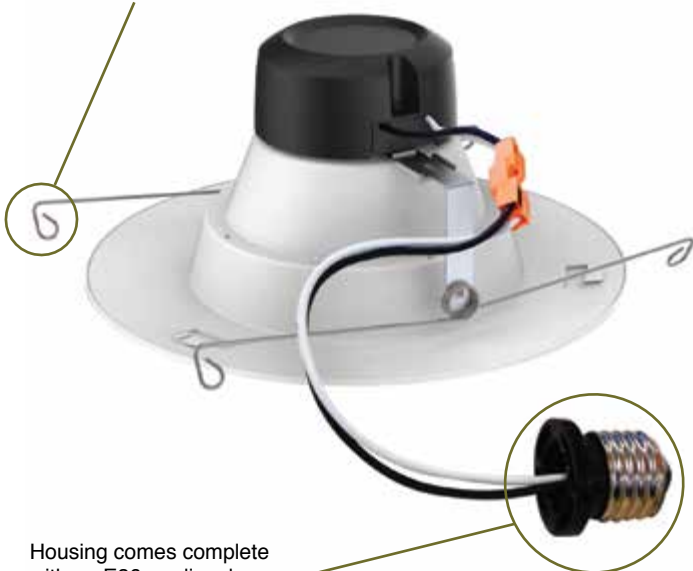
† Energy savings based on \$0.11 kWh over the life of the ProLED lamp.

ProLED Downlight Retrofit Replaceable Trim Series

Torsion springs are mounted to the housing assembly; friction clips are included and can easily be installed in place of the torsion springs

Positive locking mechanical adjustment of mounting hardware accommodates both 5" and 6" cans without binding

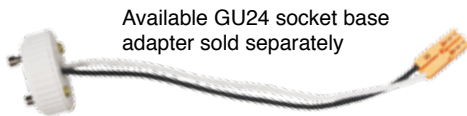
Mounting hardware adjusts to 5" and 6" cans, ensuring the trim fits snugly in the housing and to the ceiling surface



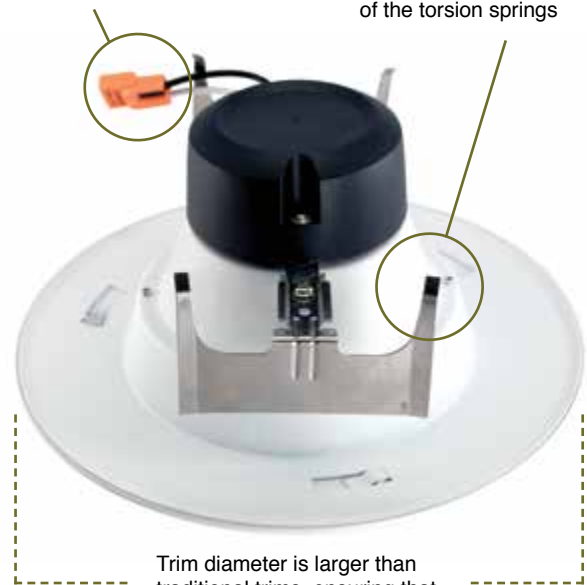
Housing comes complete with an E26 medium base socket adapter

Title 24 compliant quick plug connector is compatible with—and plugs directly into—dedicated LED recessed housings

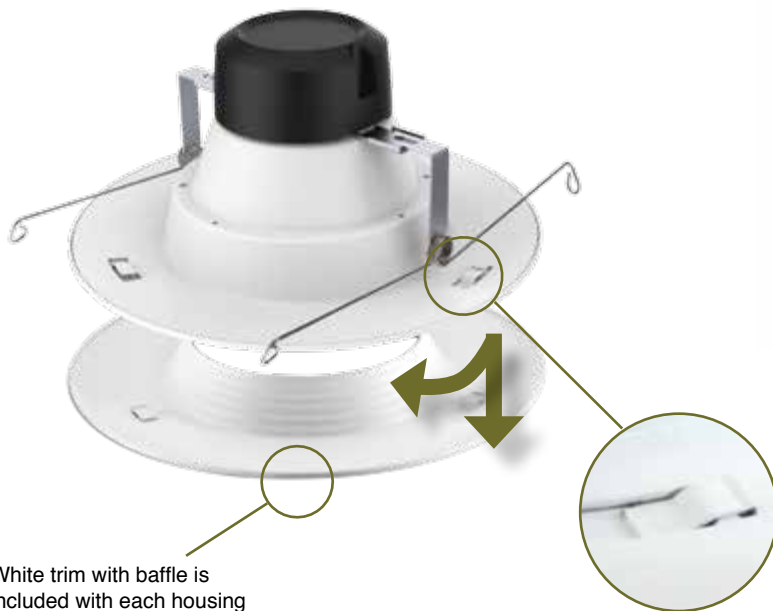
Friction clips (included) shown installed in place of the torsion springs



Available GU24 socket base adapter sold separately



Trim diameter is larger than traditional trims, ensuring that even oversized housing holes are covered



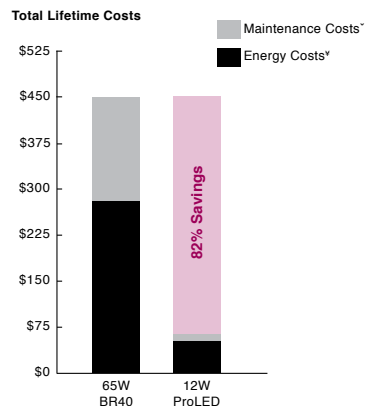
White trim with baffle is included with each housing assembly; optional trim configurations are available

Easy Twist Technology™ allows trims to be installed without tools, and can be changed after the housing is installed

ProLED Downlight Retrofit Replaceable Trim Series



Savings Comparison



5" - 6" Trims



White Trim -
White Stepped Baffle
(Included)



White Trim -
Black Stepped Baffle



White Trim -
Specular Silver Reflector



Brushed Nickel Trim -
Stepped Baffle



Oil Rubbed Bronze Trim -
Stepped Baffle



Black Trim -
Stepped Baffle

4" Trims



White Trim -
White Stepped Baffle
(Included)



White Trim -
Black Stepped Baffle



White Trim -
Specular Silver Reflector



Brushed Nickel Trim -
Stepped Baffle



Oil Rubbed Bronze Trim -
Stepped Baffle



Black Trim -
Stepped Baffle

Trim Specifications

- Low profile design is compatible with 5"- 6" Downlight Retrofit Replaceable Trim Series ¹
- Complement your existing décor with easy-to-install trim options
- Trims install and lock securely with twist on and off tabs, no tape or adhesive required
- Available in six popular finishes to complement any decor

ProLED Downlight Retrofit Replaceable Trim Series



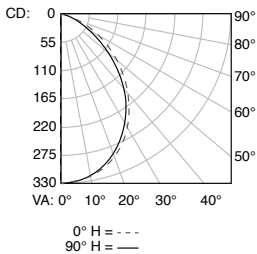
Accessories

Product	Product Code	Description	Finish	Pkg. Quantity	Baffle Height	Diameter	Weight
Replaceable 4" Trim							
99934	DL4/WB	White Trim - Black Stepped Baffle	White/Black	1/24	0.56"	5.40"	0.10 lbs.
99935	DL4/WSS	White Trim - Specular Silver Baffle	White/Silver	1/24	0.56"	5.40"	0.10 lbs.
99936	DL4/BN	Brushed Nickel Trim - Stepped Baffle	Brushed Nickel	1/24	0.56"	5.40"	0.10 lbs.
99937	DL4/ORB	Oil Rubbed Bronze Trim - Stepped Baffle	Oil Rubbed Bronze	1/24	0.56"	5.40"	0.10 lbs.
99939	DL4/BLK	Black Trim - Stepped Baffle	Black	1/24	0.56"	5.40"	0.10 lbs.
Replaceable 5" - 6" Trim							
99930	DL6/WB	White Trim - Black Stepped Baffle	White/Black	1/24	0.77"	7.48"	0.15 lbs.
99931	DL6/WSS	White Trim - Specular Silver Baffle	White/Silver	1/24	0.77"	7.48"	0.15 lbs.
99932	DL6/BN	Brushed Nickel Trim - Stepped Baffle	Brushed Nickel	1/24	0.77"	7.48"	0.15 lbs.
99933	DL6/ORB	Oil Rubbed Bronze Trim - Stepped Baffle	Oil Rubbed Bronze	1/24	0.77"	7.48"	0.15 lbs.
99938	DL6/BLK	Black Trim - Stepped Baffle	Black	1/24	0.77"	7.48"	0.15 lbs.
GU24 Adapter							
91003	ADP/DL/GU24/LED GU24 Socket Adapter			1			

Photometrics

4" Downlight

99924, DL4FR9/927/RT/LED



Coefficients of Utilization
Effective Floor Cavity Reflectance 0.20

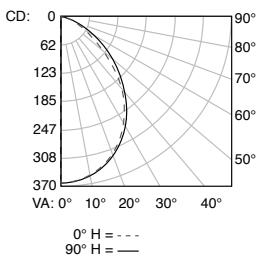
RC	80			70			50			
RW	70	50	30	70	50	30	70	50	30	20
0	119	119	119	116	116	100	111	111	111	111
1	111	107	104	105	102	89	101	98	96	
2	103	96	90	94	89	78	90	86	82	
3	95	86	79	84	78	68	81	76	71	
4	88	77	69	76	69	60	73	67	62	
5	81	70	62	69	61	54	67	60	55	
6	75	63	55	62	55	48	61	54	49	
7	70	58	50	57	49	43	56	49	44	
8	66	53	45	52	45	39	51	44	40	
9	61	49	41	48	41	36	47	41	36	
10	58	45	38	45	38	33	44	37	33	

Zonal Lumen Summary

Zone	Lumens	% Lamp	% Luminaire
0-30	244.1	36.8	36.8
0-40	384.3	57.9	57.9
0-60	602.8	90.8	90.8
60-90	61.1	9.2	9.2
70-100	14.8	2.2	2.2
90-120	0.0	0	0
0-90	663.9	100	100
90-180	0.0	0	0
0-180	663.9	100	100

Total Luminaire Efficiency = 100.00%

99925, DL4FR9/930/RT/LED



Coefficients of Utilization
Effective Floor Cavity Reflectance 0.20

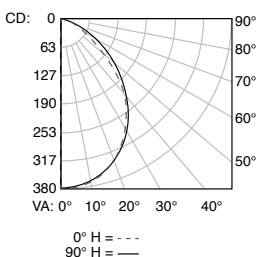
RC	80			70			50			
RW	70	50	30	70	50	30	70	50	30	20
0	119	119	119	116	116	111	111	111	111	111
1	111	107	104	108	105	102	101	98	96	
2	103	96	90	100	94	89	91	86	83	
3	95	86	79	93	85	78	82	76	72	
4	88	78	70	86	76	69	74	68	63	
5	82	70	62	80	69	62	67	61	56	
6	76	64	56	74	63	55	61	55	50	
7	71	58	51	69	58	50	56	50	45	
8	66	54	46	65	53	46	52	45	40	
9	62	50	42	61	49	42	48	41	37	
10	58	46	39	57	46	39	45	38	34	

Zonal Lumen Summary

Zone	Lumens	% Lamp	% Luminaire
0-30	266.2	38	38
0-40	416.2	59.4	59.4
0-60	638.6	91.1	91.1
60-90	62.3	8.9	8.9
0-90	700.9	100	100

Total Luminaire Efficiency = 100.00%

99926, DL4FR9/940/RT/LED



Coefficients of Utilization
Effective Floor Cavity Reflectance 0.20

RC	80			70			50			
RW	70	50	30	70	50	30	70	50	30	20
0	119	119	119	116	116	111	111	111	111	111
1	111	107	104	108	105	102	101	98	96	
2	103	96	90	100	94	89	91	86	83	
3	95	86	79	93	85	78	82	76	72	
4	88	77	70	86	76	69	74	68	63	
5	82	70	62	80	69	62	67	61	56	
6	76	64	56	74	63	55	61	55	50	
7	71	58	50	69	58	50	56	49	44	
8	66	54	46	65	53	46	52	45	40	
9	62	50	42	61	49	42	48	41	37	
10	58	46	39	57	45	38	45	38	34	

Zonal Lumen Summary

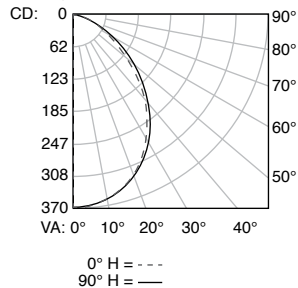
Zone	Lumens	% Lamp	% Luminaire
0-30	279.3	37.8	37.8
0-40	437.6	59.2	59.3
0-60	672.5	91.1	91.1
60-90	65.9	8.9	8.9
0-90	738.4	100	100

Total Luminaire Efficiency = 100.00%

ProLED Downlight Retrofit Replaceable Trim Series

Photometrics

99927, DL4FR9/950/RT/LED



Coefficients of Utilization
Effective Floor Cavity Reflectance 0.20

RC	80			70			50		
RW	70	50	30	70	50	30	50	30	20
0	119	119	119	116	116	116	111	111	111
1	111	107	104	108	105	102	101	98	96
2	103	96	90	100	94	89	91	86	83
3	95	86	79	93	84	78	82	76	72
4	88	77	70	86	76	69	74	68	63
5	81	70	62	80	69	62	67	60	55
6	76	64	56	74	63	55	61	54	49
7	71	58	50	69	58	50	56	49	44
8	66	54	46	65	53	46	52	45	40
9	62	50	42	61	49	42	48	41	37
10	58	46	39	57	45	38	44	38	34

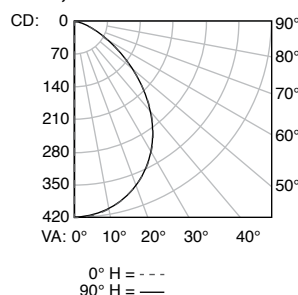
Zonal Lumen Summary

Zone	Lumens	% Lamp	% Luminaire
0-30	271.2	37.7	37.7
0-40	424.6	59.1	59.1
0-60	654.1	91	91
60-90	65.0	9	9
0-90	719.0	100	100

Total Luminaire Efficiency = 100.00%

5"-6" Downlight

99920, DL6FR12/927/RT/LED



Coefficients of Utilization
Effective Floor Cavity Reflectance 0.20

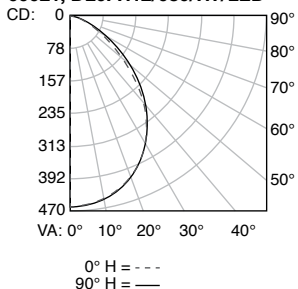
RC	80			70			50		
RW	70	50	30	50	30	0	50	30	20
0	119	119	119	116	116	100	111	111	111
1	111	107	103	105	102	89	101	98	96
2	102	96	90	94	88	78	90	86	82
3	95	86	79	84	78	68	81	76	71
4	88	77	69	76	69	60	73	67	62
5	81	70	62	69	61	54	67	60	55
6	75	63	55	63	55	48	61	54	49
7	70	58	50	57	50	43	56	49	44
8	66	53	45	53	45	39	51	45	40
9	62	49	42	49	41	36	48	41	36
10	58	46	38	45	38	33	44	38	33

Zonal Lumen Summary

Zone	Lumens	% Lamp	% Luminaire
0-30	312.7	37.1	37.1
0-40	493.5	58.6	58.6
0-60	760.2	90.3	90.3
60-90	82.0	9.7	9.7
70-100	25.1	3	3
90-120	0.0	0	0
0-90	842.2	100	100
90-180	0.0	0	0
0-180	842.2	100	100

Total Luminaire Efficiency = 100.00%

99921, DL6FR12/930/RT/LED



Coefficients of Utilization
Effective Floor Cavity Reflectance 0.20

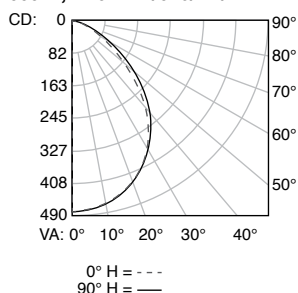
RC	80			70			50		
RW	70	50	30	70	50	30	50	30	20
0	119	119	119	116	116	111	111	111	111
1	111	107	104	108	105	102	101	98	96
2	102	96	90	100	94	89	90	86	82
3	95	86	79	92	84	78	81	76	71
4	88	77	69	85	76	69	73	67	62
5	81	70	62	79	69	61	67	60	55
6	75	63	55	74	63	55	61	54	49
7	70	58	50	69	57	50	56	49	44
8	66	53	46	64	53	45	51	45	40
9	62	49	42	60	49	41	48	41	36
10	58	46	38	57	45	38	44	38	33

Zonal Lumen Summary

Zone	Lumens	% Lamp	% Luminaire
0-30	346.0	37.2	37.2
0-40	547.4	58.8	58.8
0-60	841.4	90.4	90.4
60-90	88.9	9.6	9.6
0-90	930.3	100	100

Total Luminaire Efficiency = 100.00%

99922, DL6FR12/940/RT/LED



Coefficients of Utilization
Effective Floor Cavity Reflectance 0.20

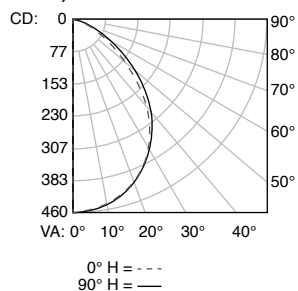
RC	80			70			50		
RW	70	50	30	70	50	30	50	30	20
0	119	119	119	116	116	111	111	111	111
1	111	107	103	108	105	102	101	98	96
2	102	96	90	100	94	88	90	86	82
3	95	86	78	92	84	78	81	76	71
4	87	77	69	85	76	68	73	67	62
5	81	70	62	79	69	61	66	60	55
6	75	63	55	74	62	55	61	54	49
7	70	58	50	69	57	49	56	49	44
8	66	53	45	64	52	45	51	44	40
9	61	49	41	60	48	41	47	41	36
10	58	45	38	57	45	38	44	37	33

Zonal Lumen Summary

Zone	Lumens	% Lamp	% Luminaire
0-30	360.4	36.7	36.7
0-40	571.8	58.3	58.3
0-60	884.9	90.2	90.2
60-90	95.7	9.8	9.8
0-90	980.6	100	100

Total Luminaire Efficiency = 100.00%

99923, DL6FR12/950/RT/LED



Coefficients of Utilization
Effective Floor Cavity Reflectance 0.20

RC	80			70			50		
RW	70	50	30	70	50	30	50	30	20
0	119	119	119	116	116	111	111	111	111
1	111	107	103	108	105	102	101	98	96
2	102	95	90	100	94	88	90	86	82
3	95	85	78	92	84	77	81	76	71
4	87	77	69	85	76	68	73	67	62
5	81	70	62	79	68	61	66	60	55
6	75	63	55	73	62	55	61	54	49
7	70	58	50	69	57	49	56	49	44
8	66	53	45	64	52	45	51	44	40
9	61	49	41	60	48	41	47	41	36
10	58	45	38	57	45	38	44	37	33

Zonal Lumen Summary

Zone	Lumens	% Lamp	% Luminaire
0-30	343.8	36.7	36.7
0-40	545.5	58.2	58.2
0-60	845.1	90.2	90.2
60-90	91.8	9.8	9.8
0-90	936.9	100	100

Total Luminaire Efficiency = 100.00%

ProLED Downlight Retrofit 18 Watt Replaceable Trim Series

Applications

Office
Lobby
Hospitality
Retail
Conference Room
Markets
Commercial
Residential

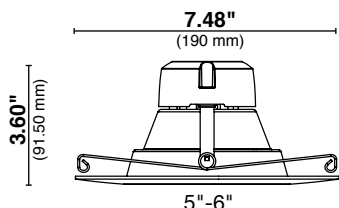
Energy efficient, long lasting replacement for lamps in existing 5" & 6" recessed housings



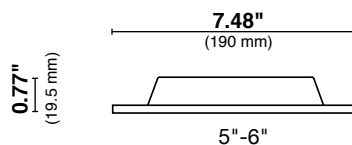
Specifications

- Torsion springs and friction clips adjust to snugly fit in either 5" or 6" recessed cans
- 5"- 6" downlight includes 2 additional friction clips for recessed cans that do not use torsion springs
- E26 socket adapter assembly included, GU24 adapter available
- All CCT versions are Title 24 Compliant
- 2700K and 3000K lamps' performance meets California Quality Lamp Specifications
- UL Classified for damp locations; RoHS Compliant
- Low profile designs are compatible with 5" or 6" recessed downlight luminaires
- Dimmable to 5% for design flexibility and increased energy savings
- ENERGY STAR certified
- 5-year limited warranty

Dimensions



Trim



Ordering Information Downlight



Watt	Product #	Product Code	Volts	Color Temp.	CRI	Lumens	Useful Life*	Pkg. Qty.	Fixture Size	Equivalent Wattage
18	99942	DL6FR18/927/RT/LED	120V	2700K	90	1200	50,000	1/6	5" - 6"	120W
18	99943	DL6FR18/930/RT/LED	120V	3000K	90	1200	50,000	1/6	5" - 6"	120W
18	99940	DL6FR18/940/RT/LED	120V	4000K	90	1200	50,000	1/6	5" - 6"	120W
18	99941	DL6FR18/950/RT/LED	120V	5000K	90	1200	50,000	1/6	5" - 6"	120W

Ordering Information Trims



Product	Product Code	Description	Finish	Package Quantity	Baffle Height	Diameter	Weight
Replaceable 5" -6" Trim							
99930	DL6/WB	White Trim - Black Stepped Baffle	White/Black	1/24	0.77"	7.48"	0.15 lbs.
99931	DL6/WSS	White Trim - Specular Silver Baffle	White/Silver	1/24	0.77"	7.48"	0.15 lbs.
99932	DL6/BN	Brushed Nickel Trim - Stepped Baffle	Brushed Nickel	1/24	0.77"	7.48"	0.15 lbs.
99933	DL6/ORB	Oil Rubbed Bronze Trim -Stepped Baffle	Oil Rubbed Bronze	1/24	0.77"	7.48"	0.15 lbs.
99938	DL6/BLK	Black Trim - Stepped Baffle	Black	1/24	0.77"	7.48"	0.15 lbs.
91003	APD/DL/GU24/LED	GU24 Locking Adapter for LED Retrofit Downlight					

* Useful Life is defined as the point in time at which the LED will maintain at least 70% of its initial lumens. The LED will continue to burn past this point, but at decreased light levels.

Warranty - Commercial / Industrial: This product is warranted for 5 years from the date of purchase, based on 10 hours of use per day.

Represents lamps that are ENERGY STAR® Certified.

• May not be compatible with all dimming systems, dimming performance may vary by system, please check the website www.halcolighting.com/ProLEDdim for up-to-date dimmer compatibility information. Use on incompatible systems may shorten lamp life.

ProLED Surface Downlights

Applications

- Home
- Office
- Lobby
- Hospitality
- Conference Room

Markets

- Commercial
- Residential

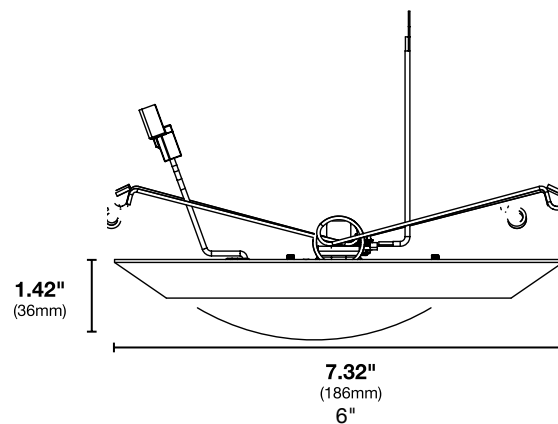
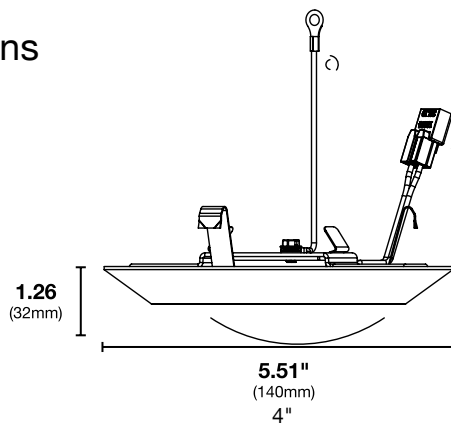
ProLED 4" and 6" surface downlights help maximize lighting areas with a low profile design



Specifications

- Mounts to standard 4" junction box with easy to install snap-fit bracket
- Mounts in standard 4" and 6" recessed housings with optional housing mounting clips (included)
- 36,000 hour life results in lower maintenance costs over time
- Lamp is UL approved for damp locations
- Rated for indoor use only
- RoHS compliant
- Pre-wired E26 socket assembly included, GU24 adapter available
- Dimmable to 10%
- 5-year limited warranty

Dimensions



Ordering Information



Watt	Product #	Product Code	Volts	Color Temp.	CRI	Lumens	Useful Life*	Dimmable	Pkg. Qty.	Fixture Size	Beam Spread	Equivalent Wattage
7	99944	SDL4FR7/827/LED	120	2700K	80	500	36,000	Yes	1/6	4"	90°	50W
7	99945	SDL4FR7/830/LED	120	3000K	80	525	36,000	Yes	1/6	4"	90°	50W
7	99946	SDL4FR7/840/LED	120	4000K	80	570	36,000	Yes	1/6	4"	90°	50W
7	99947	SDL4FR7/850/LED	120	5000K	80	595	36,000	Yes	1/6	4"	90°	50W
11.5	99948	SDL6FR12/827/LED	120	2700K	80	740	36,000	Yes	1/6	6"	90°	65W
11.5	99949	SDL6FR12/830/LED	120	3000K	80	780	36,000	Yes	1/6	6"	90°	65W
11.5	99950	SDL6FR12/840/LED	120	4000K	80	845	36,000	Yes	1/6	6"	90°	56W
11.5	99951	SDL6FR12/850/LED	120	5000K	80	890	36,000	Yes	1/6	6"	90°	65W

NEW ITEM

Represents lamps that are ENERGY STAR® certified.

* Useful Life is defined as the point in time at which the LED will maintain at least 70% of its initial lumens. The LED will continue to burn past this point, but at decreased light levels.

Warranty – Commercial / Industrial: This product is warranted for 5 years from the date of purchase, based on 10 hours of use per day.

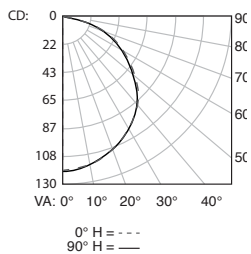
• May not be compatible with all dimming systems, dimming performance may vary by system, please check the website www.halcolighting.com/ProLEDdim for up-to-date dimmer compatibility information. Use on incompatible systems may shorten lamp life.

ProLED Surface Downlights



Photometrics

99944, SDL4FR7/827/LED



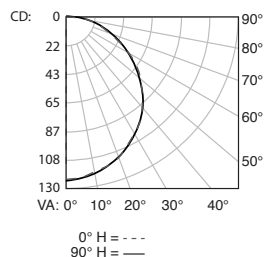
LUMENS PER ZONE

ZONE	LUMENS	% TOTAL	ZONE	LUMENS	% TOTAL
0-10	11.4	3.0%	90-100	4.5	1.2%
10-20	32.8	8.6%	100-110	0.6	0.1%
20-30	50.2	13.2%	110-120	0.0	0%
30-40	61.4	16.2%	120-130	0.0	0%
40-50	65.0	17.1%	130-140	0.0	0%
50-60	60.3	15.9%	140-150	0.0	0%
60-70	47.8	12.6%	150-160	0.0	0%
70-80	30.7	8.1%	160-170	0.0	0%
80-90	14.8	3.9%	170-180	0	0%

ZONAL LUMEN SUMMARY

ZONE	LUMENS	% LAMP	% LUMINAIRE
0-30	94.3	18.8%	24.8%
0-40	155.7	31.1%	41%
0-60	280.9	56%	74%
60-90	93.4	18.6%	24.6%
70-100	50.1	10%	13.2%
90-120	5.1	1%	1.3%
0-90	374.3	74.7%	98.7%
90-180	5.1	1%	1.3%
0-180	379.4	75.7%	100%

99945, SDL4FR7/830/LED



LUMENS PER ZONE

ZONE	LUMENS	% TOTAL	ZONE	LUMENS	% TOTAL
0-10	11.7	3.0%	90-100	4.7	1.2%
10-20	33.7	8.6%	100-110	0.6	0.1%
20-30	51.7	13.2%	110-120	0.0	0%
30-40	63.2	16.2%	120-130	0.0	0%
40-50	66.9	17.1%	130-140	0.0	0%
50-60	62.1	15.9%	140-150	0.0	0%
60-70	49.2	12.6%	150-160	0.0	0%
70-80	31.7	8.1%	160-170	0.0	0%
80-90	15.3	3.9%	170-180	0	0%

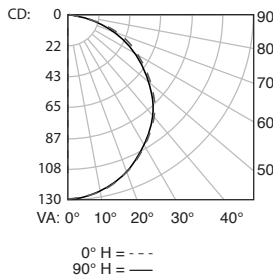
ZONAL LUMEN SUMMARY

ZONE	LUMENS	% LAMP	% LUMINAIRE
0-30	97.1	18.5%	24.8%
0-40	160.3	30.6%	41%
0-60	289.3	55.2%	74%
60-90	96.2	18.3%	24.6%
70-100	51.6	9.8%	13.2%
90-120	5.3	1%	1.3%
0-90	385.5	73.5%	98.7%
90-180	5.3	1%	1.3%
0-180	390.8	74.5%	100%

ProLED Surface Downlights

Photometrics

99946, SDL4FR7/840/LED



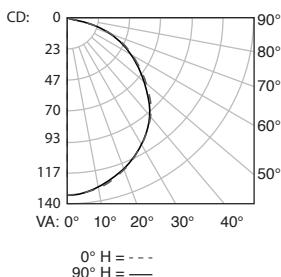
LUMENS PER ZONE

ZONE	LUMENS	% TOTAL	ZONE	LUMENS	% TOTAL
0-10	12.2	3.0%	90-100	4.9	1.2%
10-20	35.0	8.6%	100-110	0.6	0.1%
20-30	53.7	13.2%	110-120	0.0	0%
30-40	65.7	16.2%	120-130	0.0	0%
40-50	69.5	17.1%	130-140	0.0	0%
50-60	64.5	15.9%	140-150	0.0	0%
60-70	51.2	12.6%	150-160	0.0	0%
70-80	32.9	8.1%	160-170	0.0	0%
80-90	15.9	3.9%	170-180	0	0%

ZONAL LUMEN SUMMARY

ZONE	LUMENS	% LAMP	% LUMINAIRE
0-30	100.9	17.4%	24.8%
0-40	166.6	28.8%	41%
0-60	300.6	52%	74%
60-90	99.9	17.3%	24.6%
70-100	53.6	9.3%	13.2%
90-120	5.5	0.9%	1.3%
0-90	400.5	69.2%	98.7%
90-180	5.5	0.9%	1.3%
0-180	406.0	70.2%	100%

99947, SDL4FR7/850/LED



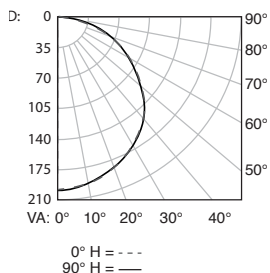
LUMENS PER ZONE

ZONE	LUMENS	% TOTAL	ZONE	LUMENS	% TOTAL
0-10	12.5	3.0%	90-100	5.0	1.2%
10-20	36.0	8.6%	100-110	0.6	0.1%
20-30	55.2	13.2%	110-120	0.0	0%
30-40	67.5	16.2%	120-130	0.0	0%
40-50	71.5	17.1%	130-140	0.0	0%
50-60	66.3	15.9%	140-150	0.0	0%
60-70	52.6	12.6%	150-160	0.0	0%
70-80	33.8	8.1%	160-170	0.0	0%
80-90	16.3	3.9%	170-180	0	0%

ZONAL LUMEN SUMMARY

ZONE	LUMENS	% LAMP	% LUMINAIRE
0-30	103.7	17.3%	24.8%
0-40	171.2	28.6%	41%
0-60	309.0	51.6%	74%
60-90	102.7	17.2%	24.6%
70-100	55.1	9.2%	13.2%
90-120	5.6	0.9%	1.3%
0-90	411.7	68.8%	98.7%
90-180	5.6	0.9%	1.3%
0-180	417.4	69.7%	100%

99948, SDL6FR12/827/LED



LUMENS PER ZONE

ZONE	LUMENS	% TOTAL	ZONE	LUMENS	% TOTAL
0-10	18.9	3.0%	90-100	4.3	0.7%
10-20	54.6	8.8%	100-110	0.2	0%
20-30	83.6	13.4%	110-120	0.0	0%
30-40	102.4	16.4%	120-130	0.0	0%
40-50	108.5	17.4%	130-140	0.0	0%
50-60	100.8	16.2%	140-150	0.0	0%
60-70	79.7	12.8%	150-160	0.0	0%
70-80	49.4	7.9%	160-170	0.0	0%
80-90	20.6	3.3%	170-180	0.0	0%

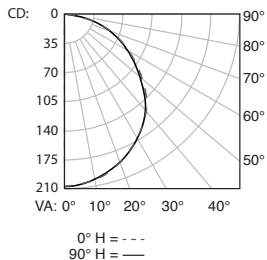
ZONAL LUMEN SUMMARY

ZONE	LUMENS	% LAMP	% LUMINAIRE
0-30	157.1	21.3%	25.2%
0-40	259.4	35.1%	41.6%
0-60	468.7	63.5%	75.2%
60-90	149.7	20.3%	24%
70-100	74.2	10.1%	11.9%
90-120	4.5	0.6%	0.7%
0-90	618.4	83.7%	99.3%
90-180	4.6	0.6%	0.7%
0-180	623.0	84.3%	100%

ProLED Surface Downlights

Photometrics

99949, SDL6FR12/830/LED



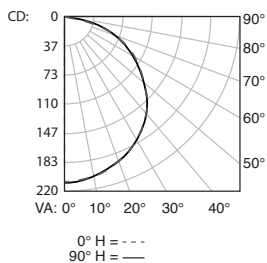
LUMENS PER ZONE

ZONE	LUMENS	% TOTAL	ZONE	LUMENS	% TOTAL
0-10	19.5	3.0%	90-100	4.4	0.7%
10-20	56.2	8.8%	100-110	0.2	0%
20-30	86.1	13.4%	110-120	0.0	0%
30-40	105.4	16.4%	120-130	0.0	0%
40-50	111.7	17.4%	130-140	0.0	0%
50-60	103.8	16.2%	140-150	0.0	0%
60-70	82.1	12.8%	150-160	0.0	0%
70-80	50.9	7.9%	160-170	0.0	0%
80-90	21.2	3.3%	170-180	0.0	0%

ZONAL LUMEN SUMMARY

ZONE	LUMENS	% LAMP	% LUMINAIRE
0-30	161.8	20.6%	25.2%
0-40	267.2	34%	41.6%
0-60	482.8	61.5%	75.2%
60-90	154.2	19.6%	24%
70-100	76.5	9.7%	11.9%
90-120	4.6	0.6%	0.7%
0-90	636.9	81.1%	99.3%
90-180	4.7	0.6%	0.7%
0-180	641.6	81.7%	100%

99950, SDL6FR12/840/LED



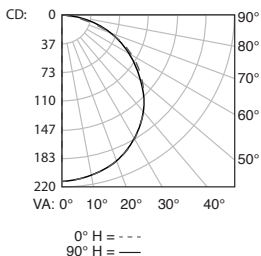
LUMENS PER ZONE

ZONE	LUMENS	% TOTAL	ZONE	LUMENS	% TOTAL
0-10	19.9	3.0%	90-100	4.5	0.7%
10-20	57.3	8.8%	100-110	0.2	0%
20-30	87.7	13.4%	110-120	0.0	0%
30-40	107.5	16.4%	120-130	0.0	0%
40-50	113.9	17.4%	130-140	0.0	0%
50-60	105.8	16.2%	140-150	0.0	0%
60-70	83.7	12.8%	150-160	0.0	0%
70-80	51.9	7.9%	160-170	0.0	0%
80-90	21.6	3.3%	170-180	0.0	0%

ZONAL LUMEN SUMMARY

ZONE	LUMENS	% LAMP	% LUMINAIRE
0-30	164.9	19.3%	25.2%
0-40	272.4	31.9%	41.6%
0-60	492.1	57.7%	75.2%
60-90	157.2	18.4%	24%
70-100	77.9	9.1%	11.9%
90-120	4.7	0.6%	0.7%
0-90	649.3	76.2%	99.3%
90-180	4.8	0.6%	0.7%
0-180	654.1	76.7%	100%

99951, SDL6FR12/850/LED



LUMENS PER ZONE

ZONE	LUMENS	% TOTAL	ZONE	LUMENS	% TOTAL
0-10	20.3	3.0%	90-100	4.6	0.7%
10-20	58.4	8.8%	100-110	0.2	0%
20-30	89.4	13.4%	110-120	0.0	0%
30-40	109.5	16.4%	120-130	0.0	0%
40-50	116.1	17.4%	130-140	0.0	0%
50-60	107.9	16.2%	140-150	0.0	0%
60-70	85.3	12.8%	150-160	0.0	0%
70-80	52.9	7.9%	160-170	0.0	0%
80-90	22.0	3.3%	170-180	0.0	0%

ZONAL LUMEN SUMMARY

ZONE	LUMENS	% LAMP	% LUMINAIRE
0-30	168.1	18.6%	25.2%
0-40	277.6	30.7%	41.6%
0-60	501.5	55.5%	75.2%
60-90	160.2	17.7%	24%
70-100	79.4	8.8%	11.9%
90-120	4.8	0.5%	0.7%
0-90	661.7	73.2%	99.3%
90-180	4.9	0.5%	0.7%
0-180	666.6	73.7%	100%

ProLED Square Downlights

Applications

Home
Office
Lobby
Hospitality
Retail
Conference Room
Markets
Commercial
Residential

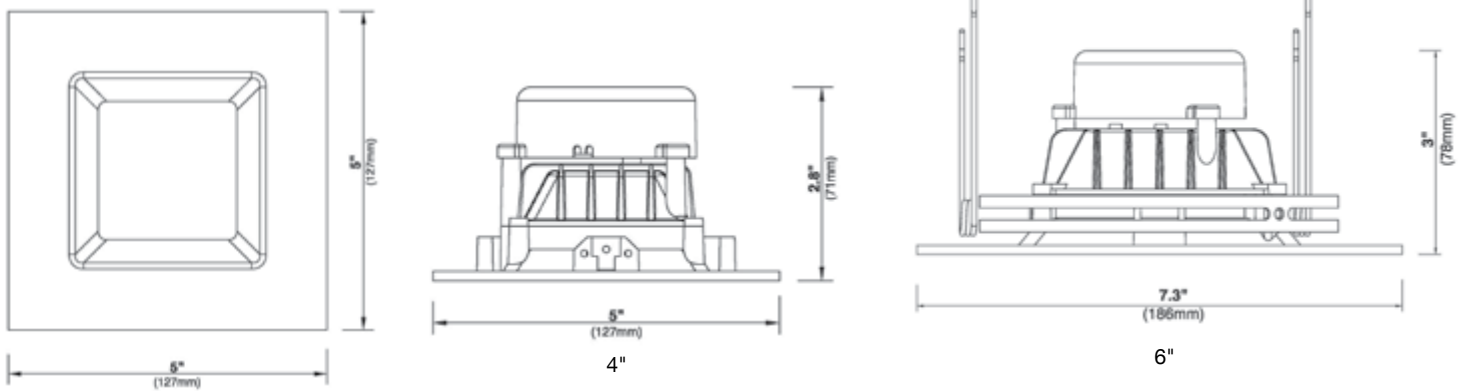
ProLED 4" and 6" square downlights give a unique design element option



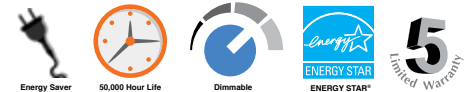
Specifications

- Energy efficient: save up to 80% in energy costs
- High lumen output
- RoHS Compliant
- Luminaire is UL approved for wet locations
- Die-cast aluminum housing
- Rotatable module for easy alignment
- 50,000 hours at 70% lumen maintenance rated life
- 5-year limited warranty

Dimensions



Ordering Information



	Watt	Product #	Product Code	Volts	Color Temp.	CRI	Lumens	Useful Life*	Pkg. Qty.	Dimmable	Fixture Size	Equivalent Wattage
⊕	10	99952	QDL4FR10/927/LED	120V	2700K	90	560	50,000	1/12	Yes	4"	50W
⊕	10	99953	QDL4FR10/930/LED	120V	3000K	90	560	50,000	1/12	Yes	4"	50W
⊕	10	99954	QDL4FR10/940/LED	120V	4000K	90	590	50,000	1/12	Yes	4"	50W
⊕	10	99955	QDL4FR10/950/LED	120V	5000K	90	630	50,000	1/12	Yes	4"	50W
⊕	15	99956	QDL6FR15/927/LED	120V	2700K	90	900	50,000	1/12	Yes	6"	65W
⊕	15	99957	QDL6FR15/930/LED	120V	3000K	90	930	50,000	1/12	Yes	6"	65W
⊕	15	99958	QDL6FR15/940/LED	120V	4000K	90	1000	50,000	1/12	Yes	6"	65W
⊕	15	99959	QDL6FR15/950/LED	120V	5000K	90	1040	50,000	1/12	Yes	6"	65W

⊕ NEW ITEM

Represents lamps that are ENERGY STAR® certified.

* Useful Life is defined as the point in time at which the LED will maintain at least 70% of its initial lumens. The LED will continue to burn past this point, but at decreased light levels.

Warranty – Commercial / Industrial: This product is warranted for 5 years from the date of purchase, based on 10 hours of use per day.

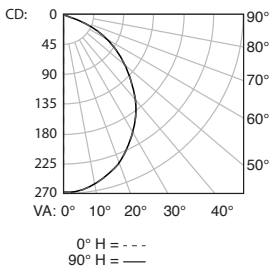
• May not be compatible with all dimming systems, dimming performance may vary by system, please check the website www.halcolighting.com/ProLEDdim for up-to-date dimmer compatibility information. Use on incompatible systems may shorten lamp life.

ProLED Square Downlights



Photometrics

99952, QDL4FR10/827/LED



LUMENS PER ZONE

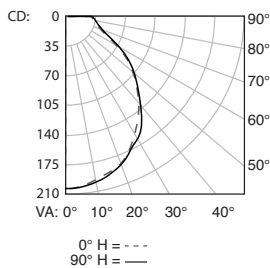
ZONE	LUMENS	% TOTAL	ZONE	LUMENS	% TOTAL
0-10	25.2	4.3%	90-100	0	0%
10-20	71.1	12.2%	100-110	0	0%
20-30	104.7	17.9%	110-120	0	0%
30-40	119.7	20.5%	120-130	0	0%
40-50	113.1	19.4%	130-140	0	0%
50-60	86.7	14.8%	140-150	0	0%
60-70	46.9	8.0%	150-160	0.1	0%
70-80	13.9	2.4%	160-170	0.3	0%
80-90	2.5	0.4%	170-180	0.1	0%

ZONAL LUMEN SUMMARY

ZON	LUMENS	% LAMP	% LUMINAIRE
0-30	201.1	34.3%	34.4%
0-40	320.7	54.8%	54.9%
0-60	520.6	88.9%	89.1%
60-90	63.3	10.8%	10.8%
70-100	16.4	2.8%	2.8%
90-120	0	0%	0%
0-90	583.9	99.7%	99.9%
90-180	0.5	0.1%	0.1%
0-180	584.4	99.8%	100%

Total Luminaire Efficiency = 100.00%

99953, QDL4FR10/830/LED



LUMENS PER ZONE

ZONE	LUMENS	% TOTAL	ZONE	LUMENS	% TOTAL
0-10	19.1	3.3%	90-100	8.9	1.6%
10-20	54.2	9.5%	100-110	0	0%
20-30	81.5	14.2%	110-120	0	0%
30-40	94.8	16.6%	120-130	0	0%
40-50	93.6	16.3%	130-140	0	0%
50-60	80.4	14.0%	140-150	0	0%
60-70	59.1	10.3%	150-160	0.1	0%
70-80	43.2	7.5%	160-170	0.3	0%
80-90	37.6	6.6%	170-180	0.1	0%

ZONAL LUMEN SUMMARY

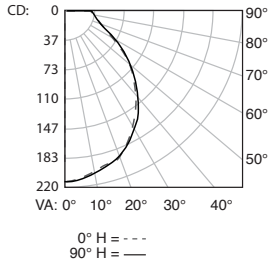
ZONE	LUMENS	% LAMP	% LUMINAIRE
0-30	154.8	27.3%	27%
0-40	249.6	44%	43.6%
0-60	423.6	74.7%	73.9%
60-90	140.0	24.7%	24.4%
70-100	89.7	15.8%	15.7%
90-120	8.9	1.6%	1.6%
0-90	563.6	99.4%	98.4%
90-180	9.4	1.7%	1.6%
0-180	573.0	101.1%	100%

Total Luminaire Efficiency = 100.00%

ProLED Square Downlights

Photometrics

99954, QDL4FR10/840/LED



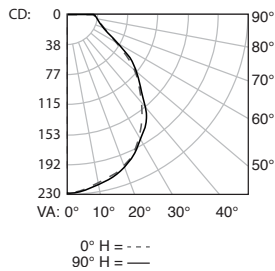
LUMENS PER ZONE

ZONE	LUMENS	% TOTAL	ZONE	LUMENS	% TOTAL
0-10	20.0	3.3%	90-100	9.3	1.6%
10-20	56.9	9.5%	100-110	0	0%
20-30	85.4	14.2%	110-120	0	0%
30-40	99.4	16.6%	120-130	0	0%
40-50	98.2	16.3%	130-140	0	0%
50-60	84.3	14.0%	140-150	0	0%
60-70	62.0	10.3%	150-160	0.1	0%
70-80	45.3	7.5%	160-170	0.3	0%
80-90	39.4	6.6%	170-180	0.1	0%

ZONAL LUMEN SUMMARY

ZONE	LUMENS	% LAMP	% LUMINAIRE
0-30	162.3	27.3%	27%
0-40	261.7	44%	43.6%
0-60	444.2	74.7%	73.9%
60-90	146.8	24.7%	24.4%
70-100	94.1	15.8%	15.7%
90-120	9.3	1.6%	1.6%
0-90	591.0	99.4%	98.4%
90-180	9.8	1.7%	1.6%
0-180	600.8	101.1%	100%
Total Luminaire Efficiency = 100.00%			

99955, QDL4FR10/850/LED



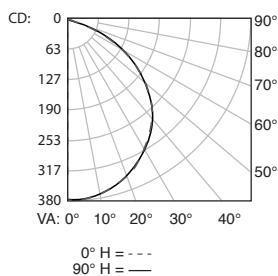
LUMENS PER ZONE

ZONE	LUMENS	% TOTAL	ZONE	LUMENS	% TOTAL
0-10	21.5	3.3%	90-100	10.0	1.6%
10-20	61.2	9.5%	100-110	0	0%
20-30	91.9	14.2%	110-120	0	0%
30-40	107.0	16.6%	120-130	0	0%
40-50	105.6	16.3%	130-140	0	0%
50-60	90.7	14.0%	140-150	0	0%
60-70	66.7	10.3%	150-160	0.1	0%
70-80	48.8	7.5%	160-170	0.3	0%
80-90	42.4	6.6%	170-180	0.1	0%

ZONAL LUMEN SUMMARY

ZONE	LUMENS	% LAMP	% LUMINAIRE
0-30	174.5	27.3%	27%
0-40	281.5	44%	43.6%
0-60	477.8	74.7%	73.9%
60-90	157.9	24.7%	24.4%
70-100	101.2	15.8%	15.7%
90-120	10.0	1.6%	1.6%
0-90	635.7	99.4%	98.4%
90-180	10.5	1.6%	1.6%
0-180	646.2	101.1%	100%
Total Luminaire Efficiency = 100.00%			

99956, QDL6FR15/827/LED



LUMENS PER ZONE

ZONE	LUMENS	% TOTAL	ZONE	LUMENS	% TOTAL
0-10	35.8	3.8%	90-100	0.1	0%
10-20	102.6	10.8%	100-110	0	0%
20-30	155.4	16.3%	110-120	0	0%
30-40	186.4	19.5%	120-130	0	0%
40-50	188.5	19.8%	130-140	0	0%
50-60	157.9	16.5%	140-150	0.2	0%
60-70	95.5	10.0%	150-160	0.4	0%
70-80	27.5	2.9%	160-170	0.3	0%
80-90	3.4	0.4%	170-180	0.1	0%

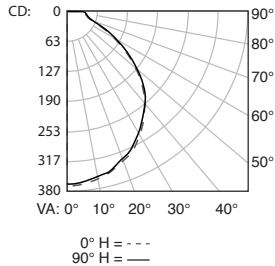
ZONAL LUMEN SUMMARY

ZONE	LUMENS	% LAMP	% LUMINAIRE
0-30	293.8	30.7%	30.8%
0-40	480.2	50.3%	50.3%
0-60	826.6	86.5%	86.6%
60-90	126.4	13.2%	13.2%
70-100	31.0	3.2%	3.3%
90-120	0.1	0%	0%
0-90	953.0	99.7%	99.9%
90-180	1.1	0.1%	0.1%
Total Luminaire Efficiency = 100.00%			

ProLED Square Downlights

Photometrics

99957, QDL6FR15/830/LED



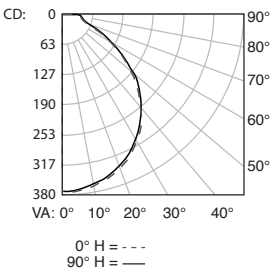
LUMENS PER ZONE

ZONE	LUMENS	% TOTAL	ZONE	LUMENS	% TOTAL
0-10	34.7	3.5%	90-100	10.8	1.1%
10-20	99.2	10.0%	100-110	0	0%
20-30	149.4	15.0%	110-120	0	0%
30-40	177.7	17.9%	120-130	0	0%
40-50	178.1	17.9%	130-140	0	0%
50-60	147.6	14.9%	140-150	0.2	0%
60-70	96.5	9.7%	150-160	0.4	0%
70-80	54.8	5.5%	160-170	0.3	0%
80-90	43.9	4.4%	170-180	0.1	0%

ZONAL LUMEN SUMMARY

ZONE	LUMENS	% LAMP	% LUMINAIRE
0-30	283.3	28.9%	28.5%
0-40	460.9	47%	46.4%
0-60	786.7	80.3%	79.2%
60-90	195.1	19.9%	19.6%
70-100	109.4	11.2%	11%
90-120	10.8	1.1%	1.1%
0-90	981.8	100.2%	98.8%
90-180	11.7	1.2%	1.2%
0-180	993.5	101.4%	100%
Total Luminaire Efficiency = 100.00%			

99958, QDL6FR15/840/LED



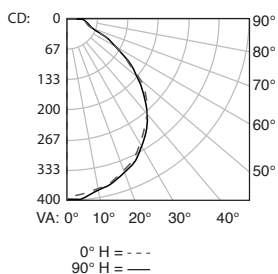
LUMENS PER ZONE

ZONE	LUMENS	% TOTAL	ZONE	LUMENS	% TOTAL
0-10	36.0	3.5%	90-100	11.2	1.1%
10-20	103.1	10.0%	100-110	0	0%
20-30	155.2	15.0%	110-120	0	0%
30-40	184.6	17.9%	120-130	0	0%
40-50	185.1	17.9%	130-140	0	0%
50-60	153.4	14.9%	140-150	0.2	0%
60-70	100.2	9.7%	150-160	0.4	0%
70-80	56.9	5.5%	160-170	0.3	0%
80-90	45.6	4.4%	170-180	0.1	0%

ZONAL LUMEN SUMMARY

ZONE	LUMENS	% LAMP	% LUMINAIRE
0-30	294.3	28.9%	28.5%
0-40	478.9	47%	46.4%
0-60	817.4	80.3%	79.2%
60-90	202.7	19.9%	19.6%
70-100	113.7	11.2%	11%
90-120	11.2	1.1%	1.1%
0-90	1,020.1	100.2%	98.8%
90-180	12.1	1.2%	1.2%
0-180	1,032.2	101.4%	100%
Total Luminaire Efficiency = 100.00%			

99959, QDL6FR15/850/LED



LUMENS PER ZONE

ZONE	LUMENS	% TOTAL	ZONE	LUMENS	% TOTAL
0-10	37.1	3.5%	90-100	11.5	1.1%
10-20	106.0	10.0%	100-110	0	0%
20-30	159.7	15.0%	110-120	0	0%
30-40	189.9	17.9%	120-130	0	0%
40-50	190.4	17.9%	130-140	0	0%
50-60	157.8	14.9%	140-150	0.2	0%
60-70	103.1	9.7%	150-160	0.4	0%
70-80	58.5	5.5%	160-170	0.3	0%
80-90	46.9	4.4%	170-180	0.1	0%

ZONAL LUMEN SUMMARY

ZONE	LUMENS	% LAMP	% LUMINAIRE
0-30	302.7	28.9%	28.5%
0-40	492.6	47%	46.4%
0-60	840.8	80.3%	79.2%
60-90	208.5	19.9%	19.6%
70-100	116.9	11.2%	11%
90-120	11.5	1.1%	1.1%
0-90	1,049.3	100.2%	98.8%
90-180	12.4	1.2%	1.2%
0-180	1,061.8	101.4%	100%
Total Luminaire Efficiency = 100.00%			

ProLED Panel Light Series

Applications

Office
Lobby
Hallway
Conference Room
Classroom
Hospitality
Retail
Markets
Commercial
Healthcare

Beautiful illumination in an energy efficient alternative to recessed fluorescent luminaires



Specifications

- Available in 1' x 4', 2' x 2' and 2' x 4' for recessed installations
- Direct backlit design provides a smooth and more uniform light distribution than edge-lit panels
- Rated for dry locations and non-IC applications
- Premium milk white lens
- Remote driver enclosure with multiple knockouts for easy access
- Fast access terminal block for easy thru-wire
- White powder coated steel housing
- 100-277 VAC voltage sensing driver
- Surface mount kit available
- Lightweight
- 0-10V dimming standard
- ETL Listed and tested to UL1598 Luminaire Standard for safety
- 50,000 hour life, up-to 2 times longer than standard T8 Fluorescent
- Available in 3500K, 4000K and 5000K CCT
- 82 CRI for quality and consistent color rendering
- Quiet and flicker-free LED technology
- 5-year limited warranty

Ordering Information



Watt	Product #	Product Code	Volts	Color Temp.	CRI	Lumens	Useful Life*	Pkg. Qty.	Beam Spread	Dimmable	DLC Listed	Equivalent Wattage
2' x 2'												
35 Watt	80918	22PNL35/835/LED	100-277V	3500K	82	2975	50,000	1	120°	0-10V	Yes	(2) 32W
35 Watt	80900	22PNL35/840/LED	100-277V	4000K	82	3000	50,000	1	120°	0-10V	Yes	(2) 32W
35 Watt	80901	22PNL35/850/LED	100-277V	5000K	82	3100	50,000	1	120°	0-10V	Yes	(2) 32W
2' x 4'												
45 Watt	80942	24PNL45/835/LED	100-277V	3500K	82	4400	50,000	1	120°	0-10V	Yes	(4) 32W
45 Watt	80943	24PNL45/840/LED	100-277V	4000K	82	4500	50,000	1	120°	0-10V	Yes	(4) 32W
45 Watt	80944	24PNL45/850/LED	100-277V	5000K	82	4600	50,000	1	120°	0-10V	Yes	(4) 32W
1' x 4'												
35 Watt	80917	14PNL35/835/LED	100-277V	3500K	82	2975	50,000	1	120°	0-10V	Yes	(2) 32W
35 Watt	80908	14PNL35/840/LED	100-277V	4000K	82	3050	50,000	1	120°	0-10V	Yes	(2) 32W
35 Watt	80909	14PNL35/850/LED	100-277V	5000K	82	3150	50,000	1	120°	0-10V	Yes	(2) 32W

* Useful Life is defined as the point in time at which the lamp will maintain at least 70% of its initial lumens. The lamp will continue to operate past this point at decreased light levels.

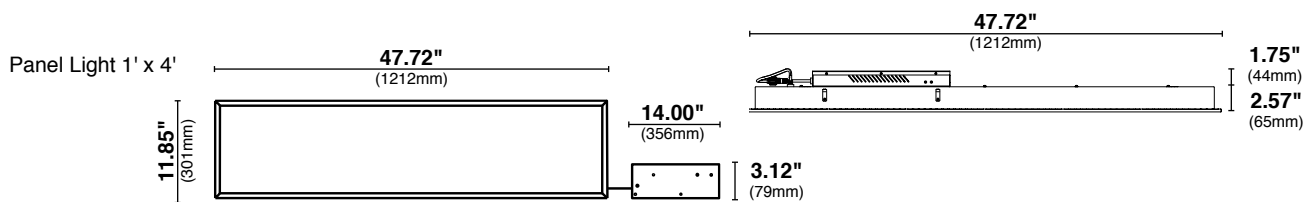
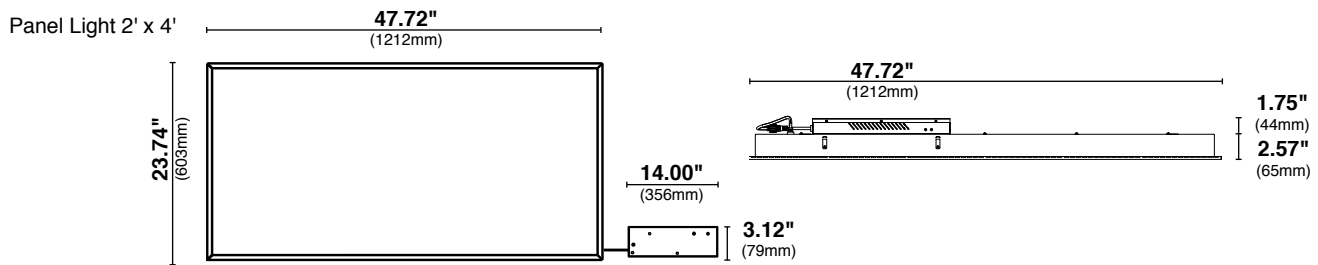
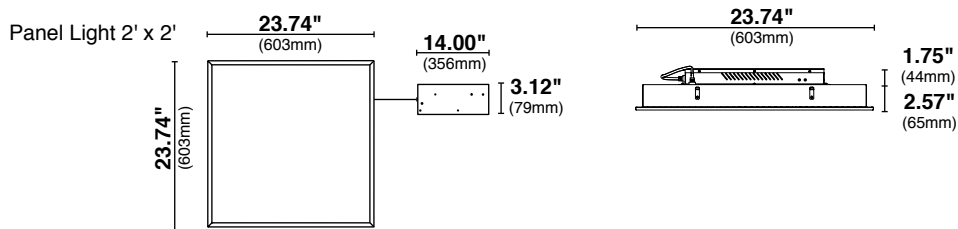
May not be compatible with all dimming systems, dimming performance may vary by system.

** Check the latest update at www.DesignLights.org for listed product catalog numbers. Not all versions are listed.

ProLED Panel Light Series



Dimensions

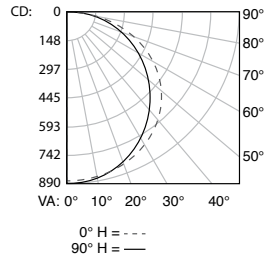


ProLED Panel Light Series

Photometrics

1' x 4'

80917, 14PNL35/835/LED



Coefficients of Utilization
Effective Floor Cavity Reflectance 0.20

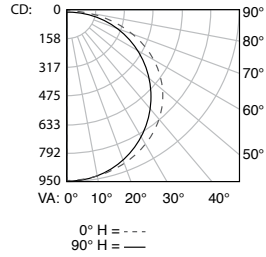
RC	80			70			50		
RW	70	50	30	50	30	10	50	30	10
0	119	119	119	116	116	116	111	111	111
1	108	103	99	101	97	93	97	93	90
2	98	89	82	87	81	75	84	78	74
3	89	78	70	76	69	62	73	67	61
4	81	69	60	68	59	52	65	58	52
5	75	61	52	60	51	45	58	50	44
6	69	55	46	54	45	39	52	44	39
7	64	50	41	49	40	34	47	40	34
8	59	45	37	45	36	31	43	36	30
9	55	42	33	41	33	27	40	32	27
10	52	38	30	38	30	25	37	30	25

Zonal Lumen Summary

Zone	Lumens	% Lamp	% Fixt
0-30	699.20	25.10	25.10
0-40	1162.64	41.80	41.80
0-60	2126.76	76.50	76.50
0-80	2716.66	97.70	97.70
0-90	2777.87	99.90	99.90

Total Luminaire Efficiency = 100.00%

80908, 14PNL35/840/LED



Coefficients of Utilization
Effective Floor Cavity Reflectance 0.20

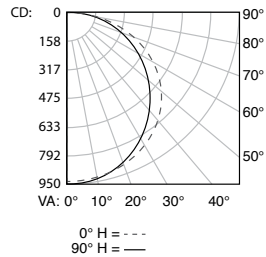
RC	80			70			50		
RW	70	50	30	50	30	10	50	30	10
0	119	119	119	116	116	116	111	111	111
1	108	103	99	101	97	93	97	93	90
2	98	89	82	87	81	75	84	78	74
3	89	78	70	76	69	62	73	67	61
4	81	69	60	68	59	52	65	58	52
5	75	61	52	60	51	45	58	50	44
6	69	55	46	54	45	39	52	44	39
7	64	50	41	49	40	34	47	40	34
8	59	45	37	45	36	31	43	36	30
9	55	42	33	41	33	27	40	32	27
10	52	38	30	38	30	25	37	30	25

Zonal Lumen Summary

Zone	Lumens	% Lamp	% Fixt
0-30	748.27	25.10	25.10
0-40	1244.17	41.80	41.80
0-60	2275.78	76.50	76.50
0-80	2972.35	97.70	97.70
0-90	2882.88	96.90	96.90

Total Luminaire Efficiency = 100.00%

80909, 14PNL42/850/LED



Coefficients of Utilization
Effective Floor Cavity Reflectance 0.20

RC	80			70			50		
RW	70	50	30	50	30	10	50	30	10
0	119	119	119	116	116	116	111	111	111
1	108	103	99	101	97	93	97	93	90
2	98	89	82	87	81	75	84	78	74
3	89	78	70	76	69	62	73	67	61
4	81	69	60	67	59	52	65	58	52
5	75	61	52	60	51	45	58	50	44
6	69	55	46	54	45	39	52	44	39
7	64	50	41	49	40	34	47	40	34
8	59	45	37	45	36	31	43	35	30
9	55	42	33	41	33	27	40	32	27
10	52	38	30	38	30	25	37	30	25

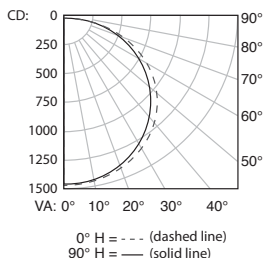
Zonal Lumen Summary

Zone	Lumens	% Lamp	% Fixt
0-30	746.49	25.10	25.10
0-40	1241.40	41.80	41.80
0-60	2271.76	76.40	76.40
0-80	2902.80	97.70	97.70
0-90	2968.92	99.90	99.90

Total Luminaire Efficiency = 100.00%

2' x 2'

80918, 22PNL35/835/LED



Coefficients of Utilization
Effective Floor Cavity Reflectance 0.20

RC	80			70			50		
RW	70	50	30	50	30	10	50	30	10
0	119	119	119	116	116	116	111	111	111
1	108	104	99	101	97	93	97	94	91
2	98	90	83	88	82	76	84	79	74
3	89	79	70	77	69	63	74	67	62
4	82	70	61	68	60	53	66	58	53
5	75	62	53	61	52	46	59	51	45
6	69	56	46	55	46	40	53	45	39
7	64	50	41	50	41	35	48	40	35
8	59	45	37	45	37	31	44	36	31
9	55	42	33	42	34	28	40	33	28
10	52	38	30	38	31	25	37	30	25

Zonal Lumen Summary

Zone	Lumens	% Lamp	% Fixt
0-30	752.60	26.10	26.10
0-40	1243.17	43.10	43.10
0-60	2239.16	77.60	77.60
0-80	2826.56	97.90	97.90
0-90	2882.97	99.90	99.90

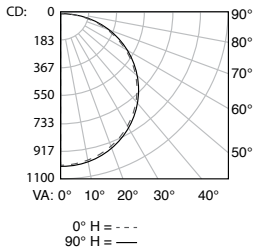
Total Luminaire Efficiency = 100.00%

ProLED Panel Light Series

Photometrics

2' x 2'

80900, 22PNL35/840/LED



Coefficients of Utilization Effective Floor Cavity Reflectance 0.20

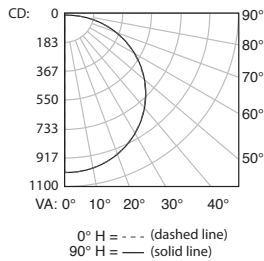
RC	80			70			50		
RW	70	50	30	50	30	10	50	30	10
0	119	119	119	116	116	116	111	111	111
1	108	104	99	101	97	94	97	94	91
2	98	89	82	88	82	76	84	79	74
3	89	79	70	77	69	63	74	67	62
4	82	70	61	68	60	53	66	58	53
5	75	62	53	61	52	46	59	51	45
6	69	56	47	55	46	40	53	45	40
7	64	50	42	50	41	35	48	40	35
8	60	46	37	45	37	31	44	36	31
9	56	42	34	42	34	28	40	33	28
10	52	39	31	38	31	25	37	30	25

Zonal Lumen Summary

Zone	Lumens	% Lamp	% Fixt
0-30	792.10	26.10	26.10
0-40	1308.36	43.10	43.10
0-60	2356.13	77.60	77.60
0-80	2973.78	97.90	97.90
0-90	3032.92	99.90	99.90

Total Luminaire Efficiency = 100.00%

80901, 22PNL35/850/LED



Coefficients of Utilization Effective Floor Cavity Reflectance 0.20

RC	80			70			50		
RW	70	50	30	50	30	10	50	30	10
0	119	119	119	116	116	116	111	111	111
1	108	104	99	101	97	94	97	94	91
2	98	90	83	88	82	76	84	79	74
3	89	79	70	77	69	63	74	67	62
4	82	70	61	68	60	53	66	58	53
5	75	62	53	61	52	46	59	51	45
6	69	56	47	55	46	40	53	45	40
7	64	50	42	50	41	35	48	40	35
8	60	46	37	45	37	31	44	36	31
9	56	42	34	42	34	28	40	33	28
10	52	39	31	38	31	25	37	30	25

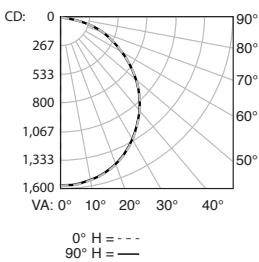
Zonal Lumen Summary

Zone	Lumens	% Lamp	% Fixt
0-30	792.77	26.10	26.10
0-40	1309.41	43.10	43.10
0-60	2358.03	77.60	77.60
0-80	2939.88	96.80	96.80
0-90	3035.44	99.90	99.90

Total Luminaire Efficiency = 100.00%

2' x 4'

80942, 24PNL45/835/LED



Coefficients of Utilization-Zonal Cavity Method Effective Floor Cavity Reflectance: 20

RC	80				70				50			
	70	50	30	0	70	50	30	0	50	30	20	
0	1.19	1.19	1.19	1.19	1.16	1.16	1.16	.99	1.11	1.11	1.11	
1	1.08	1.04	.99	.96	1.06	1.01	.97	.84	.97	.94	.91	
2	.99	.90	.84	.78	.96	.88	.82	.71	.85	.79	.75	
3	.90	.79	.71	.65	.87	.78	.70	.60	.75	.68	.63	
4	.82	.70	.61	.55	.80	.69	.61	.52	.66	.59	.53	
5	.76	.63	.54	.47	.73	.62	.53	.45	.59	.52	.46	
6	.70	.56	.47	.41	.68	.55	.47	.39	.54	.46	.40	
7	.65	.51	.42	.36	.63	.50	.42	.35	.49	.41	.36	
8	.60	.47	.38	.32	.59	.46	.38	.31	.45	.37	.32	
9	.56	.43	.35	.29	.55	.42	.34	.28	.41	.34	.29	
10	.53	.40	.32	.26	.51	.39	.31	.26	.38	.31	.26	

Zonal Lumen Summary

ZONE	LUMENS	% LAMP	% LUMINAIRE
0-30	1,220.6	27.3%	27.3%
0-40	1,994.3	44.5%	44.6%
0-60	3,515.7	78.5%	78.6%
60-90	934.3	20.9%	20.9%
70-100	392.4	8.8%	8.8%
90-120	9.5	0.2%	0.2%
0-90	4,450.0	99.4%	99.5%
90-180	23.5	0.5%	0.5%
0-180	4,473.5	99.9%	100%

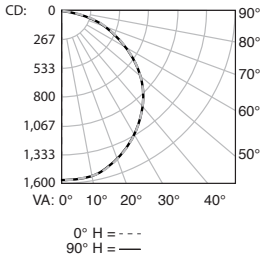
Total Luminaire Efficiency = 100.00%

ProLED Panel Light Series

Photometrics

2' x 4'

80943, 24PNL45/840/LED



Coefficients of Utilization-Zonal Cavity Method
Effective Floor Cavity Reflectance: 20

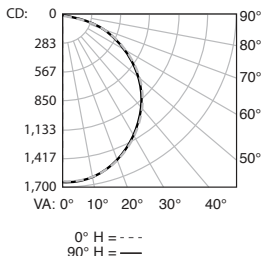
RC	80				70				50		
RW	70	50	30	0	70	50	30	0	50	30	20
0	1.19	1.19	1.19	1.19	1.16	1.16	1.16	1.00	1.11	1.11	1.11
1	1.09	1.04	1.00	.96	1.06	1.02	.98	.84	.97	.94	.91
2	.99	.90	.84	.78	.96	.89	.82	.71	.85	.80	.75
3	.90	.79	.71	.65	.87	.78	.70	.60	.75	.68	.63
4	.82	.70	.62	.55	.80	.69	.61	.52	.66	.59	.54
5	.76	.63	.54	.47	.74	.62	.53	.45	.59	.52	.46
6	.70	.57	.48	.41	.68	.56	.47	.40	.54	.46	.41
7	.65	.51	.42	.36	.63	.50	.42	.35	.49	.41	.36
8	.60	.47	.38	.32	.59	.46	.38	.31	.45	.37	.32
9	.56	.43	.35	.29	.55	.42	.34	.28	.41	.34	.29
10	.53	.40	.32	.26	.52	.39	.31	.26	.38	.31	.26

Zonal Lumen Summary

ZONE	LUMENS	% LAMP	% LUMINAIRE
0-30	1,232	27.4	27.4%
0-40	2,012	44.7	44.8%
0-60	3,547	78.8	78.9%
60-90	932	20.7	20.7%
70-100	386	8.6	8.6%
90-120	6	0.1	0.1%
0-90	4,479	99.59	9.6%
90-180	16	0.4	0.4%
0-180	4,495	99.9	100%

Total Luminaire Efficiency = 100.00%

80944, 24PNL45/850/LED



Coefficients of Utilization-Zonal Cavity Method
Effective Floor Cavity Reflectance: 20

RC	80				70				50		
RW	70	50	30	0	70	50	30	0	50	30	20
0	1.19	1.19	1.19	1.19	1.16	1.16	1.16	1.00	1.11	1.11	1.11
1	1.09	1.04	1.00	.96	1.06	1.01	.98	.84	.97	.94	.91
2	.99	.90	.84	.78	.96	.88	.82	.71	.85	.80	.75
3	.90	.79	.71	.65	.87	.78	.70	.60	.75	.68	.63
4	.82	.70	.61	.55	.80	.69	.61	.52	.66	.59	.54
5	.76	.63	.54	.47	.74	.62	.53	.45	.59	.52	.46
6	.70	.57	.48	.41	.68	.56	.47	.40	.54	.46	.41
7	.65	.51	.42	.36	.63	.50	.42	.35	.49	.41	.36
8	.60	.47	.38	.32	.59	.46	.38	.31	.45	.37	.32
9	.56	.43	.35	.29	.55	.42	.34	.28	.41	.34	.29
10	.53	.40	.32	.26	.51	.39	.31	.26	.38	.31	.26

Zonal Lumen Summary

ZONE	LUMENS	% LAMP	% LUMINAIRE
0-30	1,280.1	27.4%	27.4%
0-40	2,090.8	44.7%	44.7%
0-60	3,683.8	78.7%	78.8%
60-90	973.2	20.8%	20.8%
70-100	406.3	8.7%	8.7%
90-120	7.0	0.1%	0.1%
0-90	4,657.0	99.5%	99.6%
90-180	17.1	0.4%	0.4%
0-180	4,674.1	99.9%	100%

Total Luminaire Efficiency = 100.00%



ProLED Surface Mount Kit

Applications

Classroom
Conference Room
Hallway
Hospitality
Lobby
Office
Retail

Markets

Commercial
Healthcare



SMK22



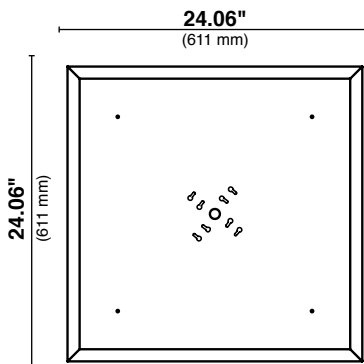
SMK24

Specifications

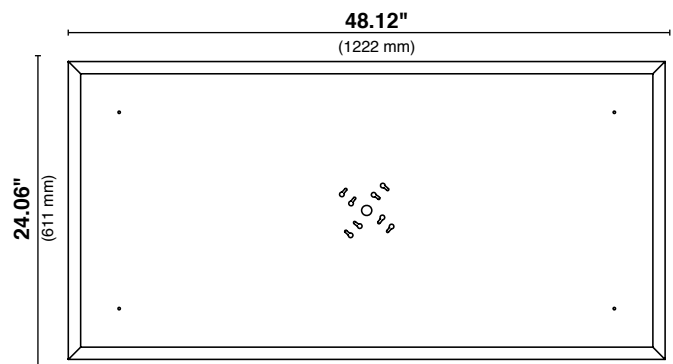
- Fully powdercoated white surface mount kit allows ProLED Flat Panel and Volumetric Panels to be installed on the surface of drywall or concrete ceilings
- High quality 22 gauge steel
- 3/4" knockout
- Fits multiple standard ceiling box screw patterns
- Can be used for Volumetric or Flat panel
- Easy to install - simply remove access door and slide luminaire onto support rails inside surface mount kit
- Mounting hardware included

Dimensions

SMK22



SMK24



Ordering Information

Product #	Product Code	Description	Color	Dimensions (L" x W" x H")
81105	SMK22	2' x 2' Surface Mount Kit for Flat and Volumetric LED panels	White	24.06" x 24.06" x 4.5"
81106	SMK24	2' x 4' Surface Mount Kit for Flat and Volumetric LED panels	White	48.12" x 24.06" x 4.5"

ProLED Volumetric Panel Light Series

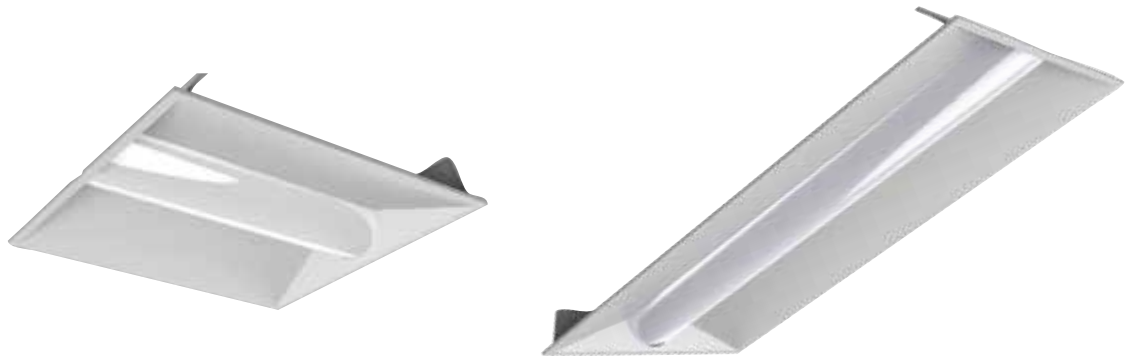
Applications

Classroom
Conference Room
Hallway
Hospitality
Lobby
Office
Retail

Markets

Commercial
Healthcare

Beautiful illumination and architectural appeal in an energy efficient alternative to recessed fluorescent luminaires



Specifications

- Available in 2' x 2' and 2' x 4' for recessed installations
- Specification grade architectural high-end appearance
- Rated for dry locations and non-IC applications
- Premium milk white lens
- Integrated driver multiple knockouts for easy access
- Fast access terminal block for easy thru-wire
- White powder coated steel housing
- 100-277 VAC voltage sensing driver
- Lightweight
- Surface mount kit available
- 0-10V dimming standard
- ETL Listed and tested to UL1598 Luminaire Standard for safety
- 50,000 hour life, up-to 2 times longer than standard T8 Fluorescent
- Available in 3500K, 4000K and 5000K CCT
- 82 CRI for quality and consistent color rendering
- Quiet and flicker-free LED technology
- 5-year limited warranty

Ordering Information



Watt	Product #	Product Code	Volts	Color Temp.	CRI	Lumens	Useful Life*	Pkg. Qty.	Beam Spread	Dimmable	DLC Listed	Equivalent Wattage
2' x 2'												
35 Watt	80894	22TFR35/835/LED	100-277V	3500K	82	3000	50,000	1	120°	0-10V	Yes	(2) 32W
35 Watt	80890	22TFR35/840/LED	100-277V	4000K	82	3100	50,000	1	120°	0-10V	Yes	(2) 32W
35 Watt	80891	22TRF35/850/LED	100-277V	5000K	82	3150	50,000	1	120°	0-10V	Yes	(2) 32W
2' x 4'												
42 Watt	80895	24TFR42/835/LED	100-277V	3500K	82	4000	50,000	1	120°	0-10V	Yes	(4) 32W
42 Watt	80892	24TFR42/840/LED	100-277V	4000K	82	4200	50,000	1	120°	0-10V	Yes	(4) 32W
42 Watt	80893	24TFR42/850/LED	100-277V	5000K	82	4250	50,000	1	120°	0-10V	Yes	(4) 32W

* Useful Life is defined as the point in time at which the lamp will maintain at least 70% of its initial lumens. The lamp will continue to operate past this point at decreased light levels.

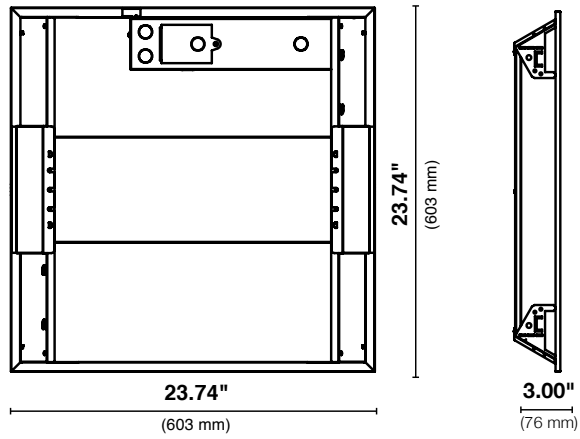
May not be compatible with all dimming systems, dimming performance may vary by system.

** Check the latest update at www.DesignLights.org for listed product catalog numbers. Not all versions are listed.

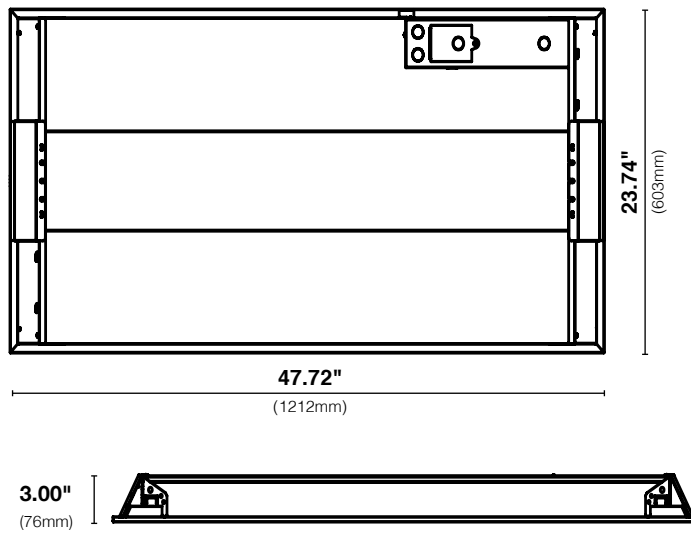
ProLED Volumetric Panel Light Series

Dimensions

Panel Light 2' x 2'



Panel Light 2' x 4'

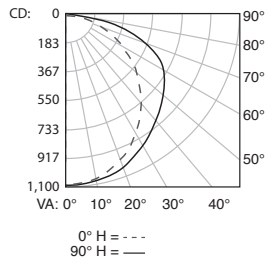


ProLED Volumetric Panel Light Series

Photometrics

2' x 2'

80894, 22TFR35/835/LED



Coefficients of Utilization

Effective Floor Cavity Reflectance 0.20

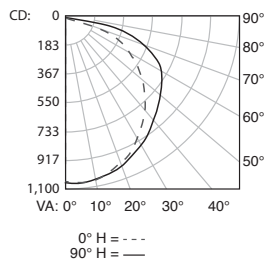
RC	80			70			50		
RW	70	50	30	70	50	30	50	30	20
0	119	119	119	116	116	116	111	111	111
1	108	103	98	105	100	96	96	92	89
2	97	88	81	95	86	80	83	77	72
3	88	77	68	86	75	67	72	65	60
4	80	68	59	78	66	58	64	56	50
5	74	60	51	72	59	50	57	49	43
6	68	54	45	66	53	44	51	43	38
7	63	49	40	61	48	40	47	39	33
8	59	45	36	57	44	36	43	35	30
9	55	41	32	53	40	32	39	32	27
10	51	38	30	50	37	29	36	29	24

Zonal Lumen Summary

Zone	Lumens	% Lamp	% Fixt
0-30	839.1	24.6	24.6
0-40	1,381.4	40.5	40.6
0-60	2,516.0	73.8	73.9
60-90	881.7	25.9	25.9
70-100	401.4	11.8	11.8
90-120	3.4	0.1	0.1
0-90	3,397.7	99.7	99.8
90-180	8.1	0.2	0.2
0-180	3,405.8	99.9	100

Total Luminaire Efficiency = 100.00%

80890, 22TFR35/840/LED



Coefficients of Utilization

Effective Floor Cavity Reflectance 0.20

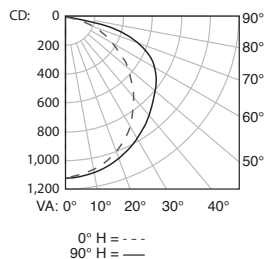
RC	80			70			50		
RW	70	50	30	70	50	30	50	30	20
0	119	119	119	116	116	116	111	111	111
1	108	102	98	105	100	96	96	92	89
2	97	88	81	94	86	80	83	77	72
3	88	77	68	85	75	67	72	65	59
4	80	68	58	78	66	58	64	56	50
5	74	60	51	71	59	50	57	49	43
6	68	54	45	66	53	44	51	43	37
7	63	49	40	61	48	39	46	39	33
8	58	44	36	57	44	35	42	35	29
9	55	41	32	53	40	32	39	32	26
10	51	38	29	50	37	29	36	29	24

Zonal Lumen Summary

Zone	Lumens	% Lamp	% Fixt
0-30	838.0	24.4	24.4
0-40	1,380.6	40.2	40.2
0-60	2,521.0	73.4	73.5
60-90	902.1	26.3	26.3
70-100	417.04	12.1	12.2
90-120	3.4	0.1	0.1
0-90	3,423.1	99.7	99.8
90-180	7.4	0.2	0.2
0-180	3,430.4	99.90	100

Total Luminaire Efficiency = 100.00%

80891, 22TFR35/850/LED



Coefficients of Utilization

Effective Floor Cavity Reflectance 0.20

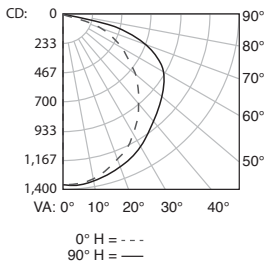
RC	80			70			50		
RW	70	50	30	70	50	30	50	30	20
0	119	119	119	116	116	116	111	111	111
1	108	102	98	105	100	96	96	92	89
2	97	88	81	94	86	80	83	77	72
3	88	77	68	86	75	67	72	65	60
4	80	68	59	78	66	58	64	56	50
5	74	60	51	72	59	50	57	49	43
6	68	54	45	66	53	44	51	43	38
7	63	49	40	61	48	40	47	39	33
8	59	45	36	57	44	36	43	35	30
9	55	41	32	53	40	32	39	32	27
10	51	38	30	50	37	29	36	29	24

Zonal Lumen Summary

Zone	Lumens	% Lamp	% Fixt
0-30	871.6	24.6	24.6
0-40	1,485.3	40.5	40.5
0-60	2,614.2	73.7	73.8
60-90	918.5	25.9	25.9
70-100	419.4	11.8	11.8
90-120	3.9	0.1	0.1
0-90	3,532.7	99.6	99.7
90-180	9.8	0.3	0.3
0-180	3,542.5	99.90	100

2' x 4'

80895, 24TFR42/835/LED



Coefficients of Utilization

Effective Floor Cavity Reflectance 0.20

RC	80			70			50		
RW	70	50	30	70	50	30	50	30	20
0	119	119	119	116	116	116	111	111	111
1	107	102	98	105	100	96	96	92	89
2	97	88	81	94	86	79	82	77	72
3	88	77	68	85	75	67	72	65	59
4	80	67	58	78	66	57	63	56	50
5	73	60	50	71	59	50	57	49	43
6	68	54	44	66	53	44	51	43	37
7	63	49	40	61	48	39	46	38	33
8	58	44	35	57	44	35	42	35	29
9	54	41	32	53	40	32	39	31	26
10	51	37	29	50	37	29	36	29	24

Zonal Lumen Summary

Zone	Lumens	% Lamp	% Fixt
0-30	1,053.5	24.1	24.1
0-40	1,737.5	39.7	39.8
0-60	3,187.1	72.9	72.9
60-90	1,164.5	26.6	26.6
70-100	538.1	12.3	12.3
90-120	7.9	0.2	0.2
0-90	4,351.6	99.5	99.6
90-180	17.9	0.4	0.4
0-180	4,369.5	99.9	100

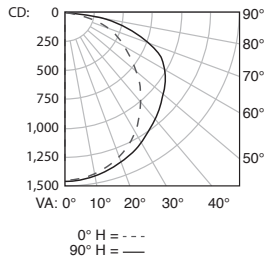
Total Luminaire Efficiency = 100.00%

ProLED Volumetric Panel Light Series

Photometrics

2' x 4'

80892, 24TFR42/840/LED



Coefficients of Utilization

Effective Floor Cavity Reflectance 0.20

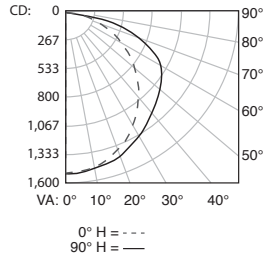
RC	80			70			50		
RW	70	50	30	70	30	10	50	30	20
0	119	119	119	116	116	116	111	111	111
1	107	102	97	104	100	95	95	92	88
2	97	88	80	94	86	79	82	76	71
3	88	76	68	85	75	66	72	65	59
4	80	67	58	77	66	57	63	55	49
5	73	60	50	71	58	50	56	48	42
6	67	54	44	65	53	44	51	43	37
7	62	48	39	61	48	39	46	38	32
8	58	44	35	56	43	35	42	34	29
9	54	40	33	53	40	32	39	31	26
10	51	37	29	49	37	29	36	28	23

Zonal Lumen Summary

Zone	Lumens	% Lamp	% Fixt
0-30	1,128.1	23.9	23.9
0-40	1,861.2	39.4	39.4
0-60	3,414.6	72.2	72.3
60-90	1,289.5	27.3	27.3
70-100	613.4	13	13
90-120	9.0	0.2	0.2
0-90	4,704.0	99.5	99.6
90-180	20.0	0.4	0.4
0-180	4,724.1	99.9	100

Total Luminaire Efficiency = 100.00%

80893, 24TFR42/850/LED



Coefficients of Utilization

Effective Floor Cavity Reflectance 0.20

RC	80			70			50		
RW	70	50	30	50	30	10	50	30	20
0	119	119	119	116	116	116	111	111	111
1	108	102	98	105	100	96	96	92	89
2	97	88	81	94	86	79	82	77	72
3	88	77	68	85	75	67	72	65	59
4	80	67	58	78	66	57	63	56	50
5	73	60	51	71	59	50	57	49	43
6	68	54	44	66	53	44	51	43	37
7	63	49	40	61	48	39	46	38	33
8	58	44	36	57	44	35	42	35	29
9	54	41	32	53	40	32	39	31	26
10	51	37	29	50	37	29	36	29	24

Zonal Lumen Summary

Zone	Lumens	% Lamp	% Fixt
0-30	1,186.9	24.1	24.2
0-40	1,957.5	39.8	39.9
0-60	3,588.7	73	73.1
60-90	1,303.0	26.6	26.5
70-100	598.9	12.2	12.2
90-120	8.1	0.2	0.2
0-90	4,891.7	99.5	99.6
90-180	19.6	0.4	0.4
0-180	4,911.3	99.9	100

Total Luminaire Efficiency = 100.00%



Outdoor Luminaires





LED Wallpack Series

Applications
Building Entrances
Gas Stations
Loading Docks
Parking Garages
Pathway Illumination
Schools
Stairways
Tunnels
Markets
Commercial
Industrial

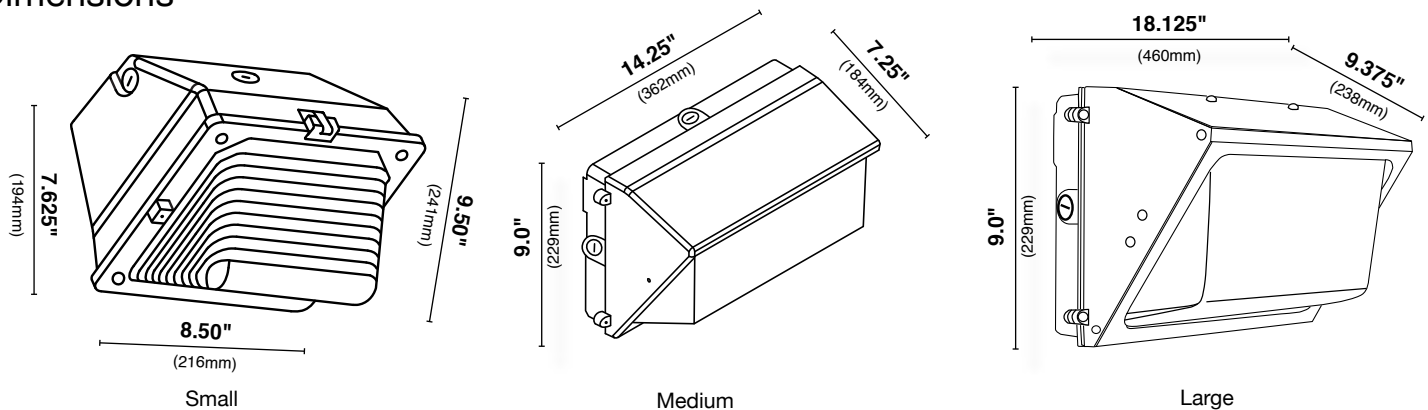
Long-lasting low maintenance, energy efficient replacements for HID luminaires



Specifications

- Operating temperature range is -40°F (-40°C) to 113°F (45°C)
- Die-cast aluminum housing and hinged lens frame with captive screws
- Textured architectural bronze powdercoat finish
- Silicone gaskets protect against rust, corrosion, dirt and insects
- Molded prismatic borosilicate glass
- Mounts directly over a 4" recessed outlet box
- Removable 1/2" threaded plugs with O-rings for conduit access and photocell provision
- Electrical snap-in connectors to simplify wiring and installation
- Voltage sensing 100-277V dimmable driver
- CSA Listed for wet locations
- Up to 80% energy savings vs. HID
- 5-year limited warranty

Dimensions



Ordering Information

Watt	Product #	Product Code	Volts	Color Temp.	CRI	Lumens	Useful Life*	Pkg. Qty.	Dimmable	Equivalent Wattage
27	99907	WP1/CL27BZ50/LED	100-277V	5000K	85	2258	50,000	1	0-10V	100W
47	99908	WP2/CL47BZ50/LED	100-277V	5000K	85	4148	50,000	1	0-10V	175W
66	99909	WP3/CL66BZ50/LED	100-277V	5000K	85	5531	50,000	1	0-10V	250W

Accessories include hardware.

Warranty – Commercial / Industrial: This product is warranted for 1 year from the date of purchase, based on 10 hours of use per day.

* Useful Life is defined as the point in time at which the LED will maintain at least 70% of its initial lumens. The LED will continue to operate past this point at decreased light levels. May not be compatible with all dimming systems, dimming performance may vary by system.

** Check the latest update at www.DesignLights.org for listed product catalog numbers. Not all versions are listed.

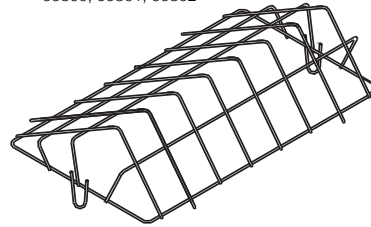


LED Wallpack Series

Accessories

Product #	Product Code	Description
99800	WG1/WP1	Wire Guard Wallpack for 99907
99801	WG2/WP2	Wire Guard Wallpack for 99908
99802	WG3/WP3	Wire Guard Wallpack for 99909
99815	PCS/120V	Photocell Swivel 110-130V
99816	PCS/277V	Photocell Swivel 208-277V

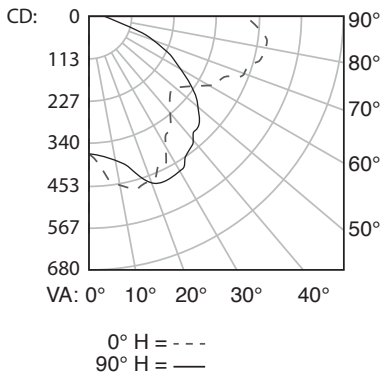
99800, 99801, 99802



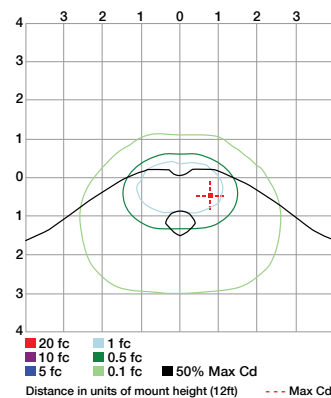
99815, 99816

Photometrics

Polar Candela Distribution Plot 99907, WP1/CL27BZ50/LED



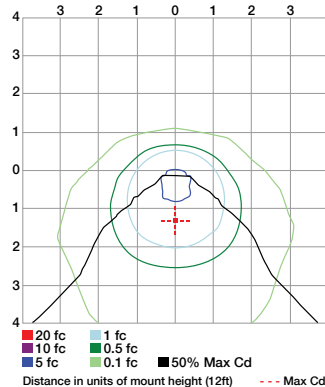
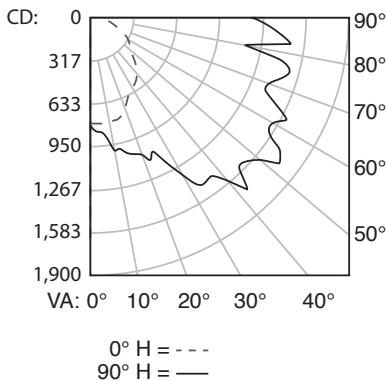
Isofootcandle Plot



Illuminance at a Distance

Height(ft)	Center Beam Footcandle	Beam Spread(ft)		Field Spread(ft)	
		Horizontal	Vertical	Horizontal	Vertical
2.0	91.2 fc	7.7	7.4	59.4	
4.0	22.8 fc	15.5	14.8	118.9	
0.0	10.1 fc	23.2	22.3	178.3	
0.0	5.7 fc	30.9	29.7	237.8	
10.0	3.6 fc	38.6	37.1	297.2	
12.0	2.5 fc	46.4	44.5	356.6	
		Beam Angle		Field Angle	
		125.3°	123.3°	172.3°	200.7°

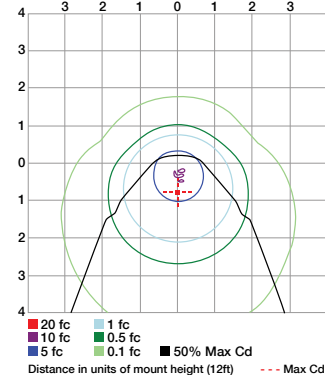
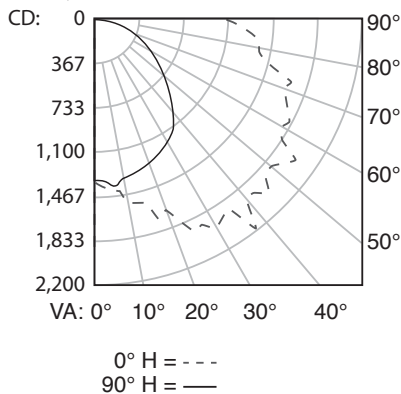
99908, WP2/CL47BZ50/LED



Illuminance at a Distance

Height(ft)	Center Beam Footcandle	Beam Spread(ft)		Field Spread(ft)	
		Horizontal	Vertical	Horizontal	Vertical
2.0	195.2 fc	4.2	4.5	22.9	44.4
4.0	48.8 fc	8.5	8.9	45.8	88.8
0.0	21.7 fc	13.4	13.4	68.8	133.1
0.0	12.2 fc	17.9	17.9	91.7	177.5
10.0	7.8 fc	22.4	22.4	114.6	221.9
12.0	5.4 fc	26.8	26.8	137.5	266.3
		Beam Angle		Field Angle	
		93.4°	96.4°	160.2°	169.7°

99909, WP3/CL66BZ50/LED



Illuminance at a Distance

Height(ft)	Center Beam Footcandle	Beam Spread(ft)		Field Spread(ft)	
		Horizontal	Vertical	Horizontal	Vertical
2.0	332.8 fc	4.3	5.0	21.9	35.9
4.0	83.2 fc	8.5	9.9	43.8	71.9
0.0	37.0 fc	12.8	14.9	65.7	107.8
0.0	20.8 fc	17.1	19.8	87.6	143.8
10.0	13.3 fc	24.8	24.8	109.5	179.7
12.0	9.2 fc	29.8	29.8	131.4	215.7
		Beam Angle		Field Angle	
		93.7°	102.2°	159.3°	167.3°

LED Wallpack Full Cutoff Series

Applications

- Building Entrances
- Gas Stations
- Loading Docks
- Parking Garages
- Park
- Schools
- Stairways
- Tunnels

Markets

- Commercial
- Industrial

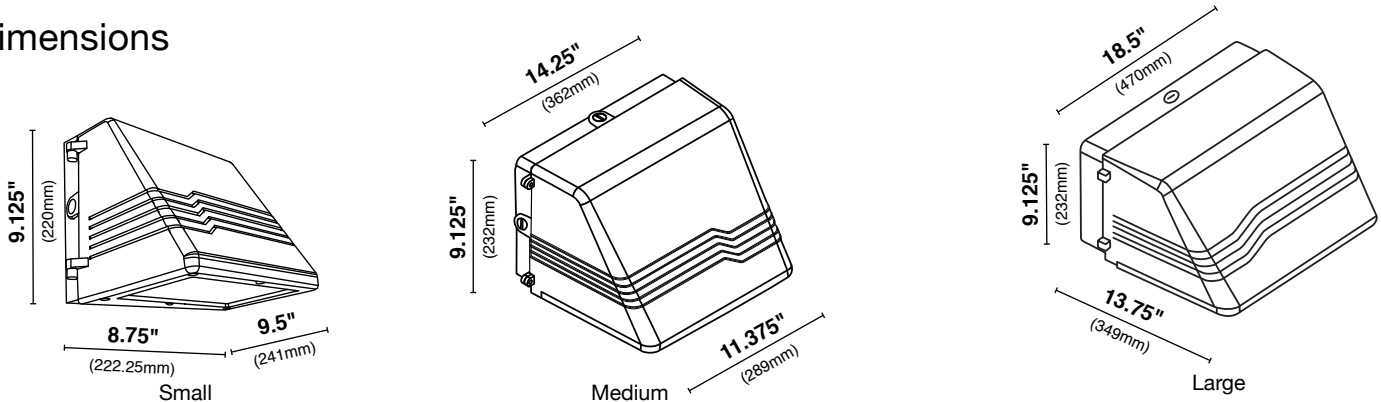
Long-lasting, low maintenance energy efficient replacements for HID luminaires



Specifications

- Operating temperature range is -40°F (-40°C) to 113°F (45°C)
- Die-cast aluminum housing and hinged lens frame with captive screws
- Textured architectural bronze powdercoat finish
- Silicone gaskets protect against rust, corrosion, dirt and insects
- Molded prismatic borosilicate glass
- Mounts directly over a 4" recessed outlet box
- Removable 1/2" threaded plugs with O-rings for conduit access and photocell provision
- Electrical snap-in connectors to simplify wiring and installation
- Voltage sensing 100-277V dimmable driver
- CSA Listed for wet locations
- Darkness Friendly
- 5-year limited warranty

Dimensions



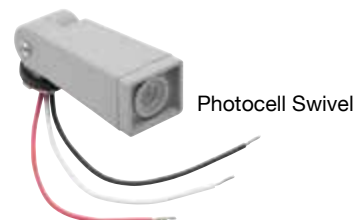
Ordering Information



Watt	Product #	Product Code	Volts	Color Temp.	CRI	Lumens	Useful Life*	Pkg. Qty.	Dimmable	DLC Qualified	Equivalent Wattage
25	99910	WPFC1/CL25BZ50/LED	100-277V	5000K	73	2068	50,000	1	0-10V	Yes	100W
43	99911	WPFC2/CL43BZ50/LED	100-277V	5000K	75	3830	50,000	1	0-10V	Yes	175W
63	99912	WPFC3/CL63BZ50/LED	100-277V	5000K	75	5734	50,000	1	0-10V	Yes	250W

Accessories

Product #	Product Code	Product #
99815	Photocell Swivel 110-130V	PCS/120V
99816	Photocell Swivel 208-277V	PCS/277V



Accessories include hardware.

Warranty - Commercial / Industrial: This product is warranted for 1 year from the date of purchase, based on 10 hours of use per day.

* Useful Life is defined as the point in time at which the LED will maintain at least 70% of its initial lumens. The LED will continue to operate past this point at decreased light levels.

May not be compatible with all dimming systems, dimming performance may vary by system.

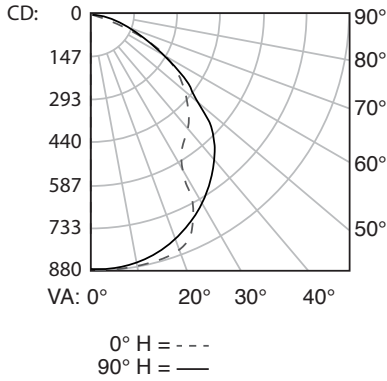
** Check the latest update at www.DesignLights.org for listed product catalog numbers. Not all versions are listed.

LED Wallpack Full Cutoff Series

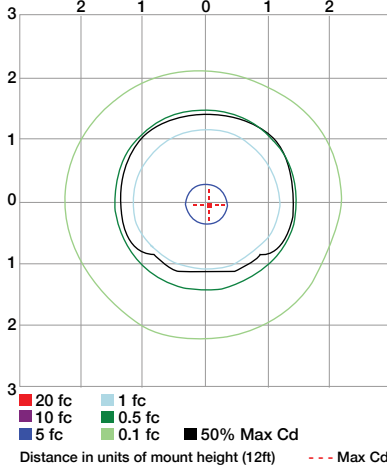
Photometrics

Polar Candela Distribution Plot

99910, WPFC1/CL25BZ50/LED



Isofootcandle Plot

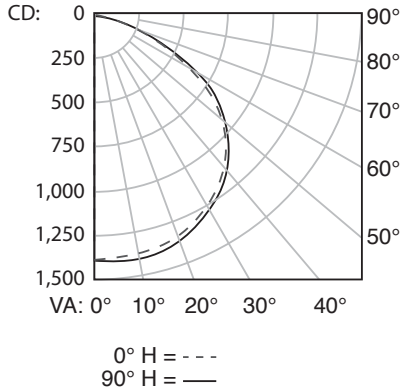


Illuminance at a Distance

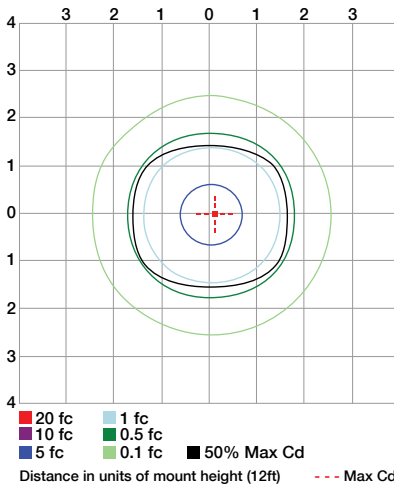
Height(ft)	Center Beam Footcandle	Beam Spread(ft)		Field Spread(ft)	
		Horizontal	Vertical	Horizontal	Vertical
2.0	217.6 fc	5.4	5.1	11.8	11.3
4.0	54.4 fc	10.8	10.1	23.6	22.6
0.0	24.2 fc	16.2	15.2	35.5	33.9
0.0	13.6 fc	21.6	20.2	47.3	45.2
10.0	8.7 fc	27.0	25.3	59.1	56.5
12.0	6.0 fc	32.4	30.3	70.9	67.8
		Beam Angle		Field Angle	
		107.0°	103.3°	142.6°	141.0°

Polar Candela Distribution Plot

99911, WPFC2/CL43BZ50/LED



Isofootcandle Plot

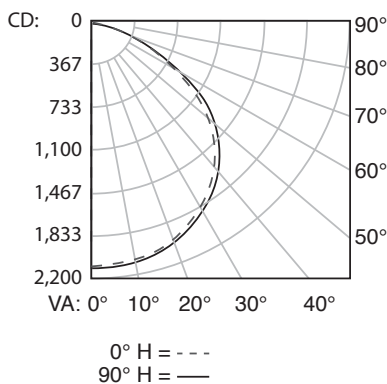


Illuminance at a Distance

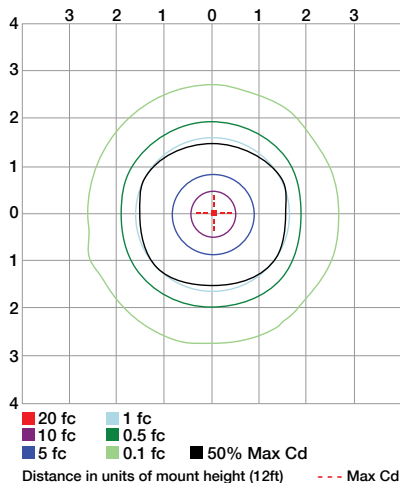
Height(ft)	Center Beam Footcandle	Beam Spread(ft)		Field Spread(ft)	
		Horizontal	Vertical	Horizontal	Vertical
2.0	347.7 fc	6.2	5.9	12.7	12.3
4.0	86.9 fc	12.4	11.8	25.4	24.6
0.0	38.9 fc	18.6	17.6	38.1	36.9
0.0	21.7 fc	24.8	23.5	50.7	49.2
10.0	13.9 fc	30.9	29.4	63.4	61.6
12.0	9.7 fc	37.1	35.3	76.1	73.9
		Beam Angle		Field Angle	
		114.2°	111.5°	145.0°	144.0°

Polar Candela Distribution Plot

99912, WPFC3/CL63BZ50/LED



Isofootcandle Plot



Illuminance at a Distance

Height(ft)	Center Beam Footcandle	Beam Spread(ft)		Field Spread(ft)	
		Horizontal	Vertical	Horizontal	Vertical
2.0	525.2 fc	6.1	5.9	12.1	12.6
4.0	131.3 fc	12.2	11.8	24.3	25.2
0.0	58.4 fc	18.4	17.8	36.4	37.8
0.0	32.8 fc	24.5	23.7	48.5	50.4
10.0	21.0 fc	30.6	29.6	60.7	63.0
12.0	14.6 fc	36.7	35.5	72.8	75.7
		Beam Angle		Field Angle	
		113.7°	111.9°	143.5°	144.8°

LED Flood Series

Applications

Car Dealerships
Convenience Stores
Common Walkways
Gas Stations
Parking Areas
Schools
Markets
Commercial
Industrial
Residential

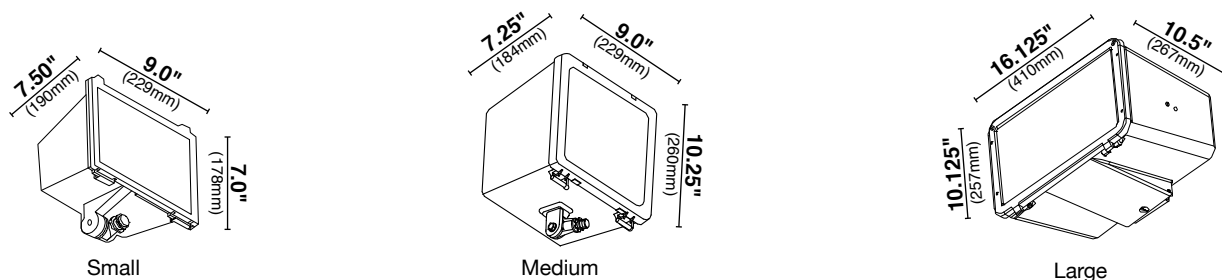
Long-lasting, low maintenance, energy efficient replacements for HID luminaires



Specifications

- Operating temperature range is -40°F (-40°C) to 113°F (45°C)
- Die-cast aluminum housing and hinged lens frame with captive screws
- Textured architectural bronze powdercoat finish
- Silicone gaskets protect against rust, corrosion, dirt and insects
- Clear flat glass lens
- Removable 1/2" threaded plugs with O-rings for conduit access and photocell provision
- Electrical snap-in connectors to simplify wiring and installation
- Voltage sensing 100-277V dimmable driver
- CSA Listed for wet locations
- 5-year limited warranty

Dimensions



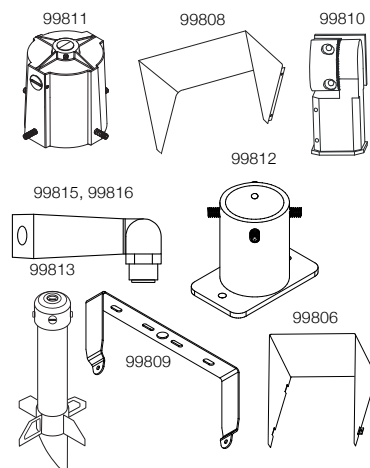
Ordering Information

Watt	Product #	Product Code	Volts	Color Temp.	CRI	Lumens	Useful Life*	Pkg. Qty.	Dimmable	DLC Qualified	Equivalent Wattage
25 Watt	99901	FL1/CL25BZ50/LED	100-277V	5000K	72	2225	50,000	1	0-10V	Yes	100W
41 Watt	99902	FL2/CL41BZ50/LED	100-277V	5000K	73	3468	50,000	1	0-10V	Yes	175W
75 Watt	99903	FL3/CL75BZ50/LED	100-277V	5000K	75	5964	50,000	1	0-10V	Yes	250W



Accessories

Watt	Product #	Product Description	Watt	Product #	Product Description
99803	WG1/FL1	Wire Guard Flood for 99901	99810	SF/FL	Slip Fitter Flood for 99903
99804	WG2/FL2	Wire Guard Flood for 99902	99811	PTF/FL	Post Top Fitter Flood for 99901, 99902
99805	WG3/FL3	Wire Guard Flood for 99903	99812	PTM/FL	Pole Tenon Mount Flood for 99903
99806	GS1/FL1	Glare Shield Flood for 99901	99813	HDGS/FL	Heavy Duty Ground Stake for 99901, 99902
99807	GS2/FL2	Glare Shield Flood for 99902	99815	PCS/120V	Photocell Swivel 110-130V
99808	GS3/FL3	Glare Shield Flood for 99903	99816	PCS/277V	Photocell Swivel 208-277V
99809	LY/FL3	Large Yoke Flood for 99903			



Accessories include hardware.

Warranty - Commercial / Industrial: This product is warranted for 1 year from the date of purchase, based on 10 hours of use per day.

* Useful Life is defined as the point in time at which the LED will maintain at least 70% of its initial lumens. The LED will continue to operate past this point at decreased light levels.

May not be compatible with all dimming systems, dimming performance may vary by system.

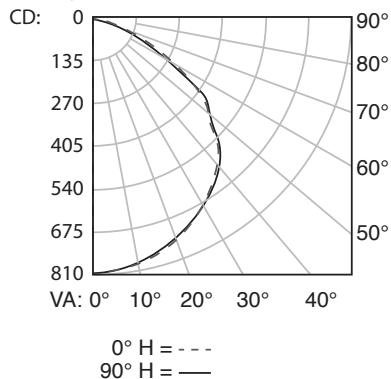
** Check the latest update at www.DesignLights.org for listed product catalog numbers. Not all versions are listed.

LED Flood Series

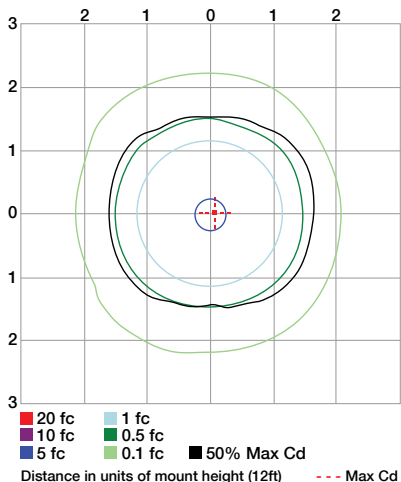
Photometrics

Polar Candela Distribution Plot

99901, FL1/CL25BZ50/LED



Isofootcandle Plot

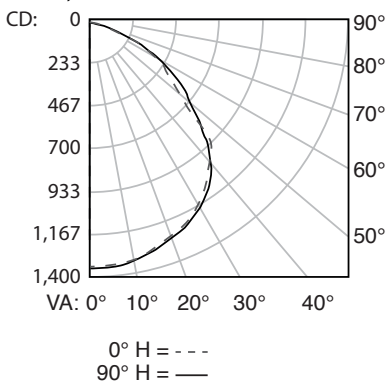


Illuminance at a Distance

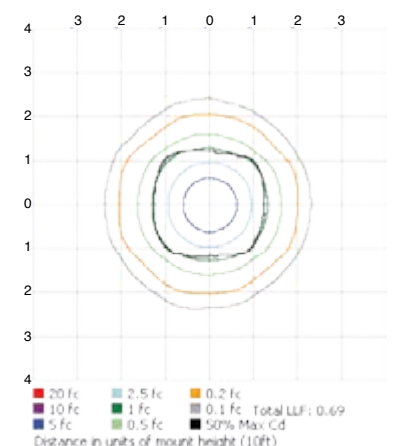
Height(ft)	Center Beam Footcandle	Beam Spread(ft)		Field Spread(ft)	
		Horizontal	Vertical	Horizontal	Vertical
2.0	200.3 fc	6.1	6.0	11.4	11.8
4.0	50.1 fc	12.1	12.0	22.8	23.6
8.0	12.5 fc	18.2	18.0	34.2	35.4
10.0	8.0 fc	24.3	24.0	45.6	47.1
12.0	5.6 fc	30.3	29.9	57.0	58.9
		36.4	35.9	68.3	70.7
		Beam Angle		Field Angle	
		113.2°		141.3°	
		112.5°		142.5°	

Polar Candela Distribution Plot

99902, FL2/CL41BZ50/LED



Isofootcandle Plot

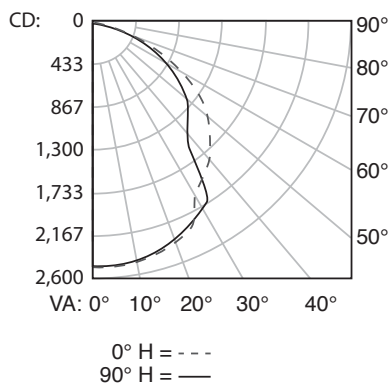


Illuminance at a Distance

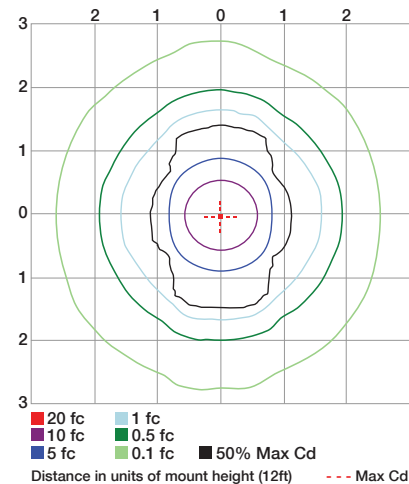
Height(ft)	Center Beam Footcandle	Beam Spread(ft)		Field Spread(ft)	
		Horizontal	Vertical	Horizontal	Vertical
1.7	485.43 fc	4.2	4.0	9.3	9.5
3.3	121.36 fc	8.4	8.1	18.7	19.0
5.0	53.94 fc	12.5	12.1	28.0	28.5
6.7	30.34 fc	16.7	16.2	37.4	38.1
8.3	19.42 fc	20.9	20.2	46.7	47.6
10.0	13.48 fc	25.1	24.3	56.1	57.1
		Beam Angle		Field Angle	
		102.8°		140.7°	
		101.1°		141.4°	

Polar Candela Distribution Plot

99903, FL3/CL75BZ50/LED



Isofootcandle Plot



Illuminance at a Distance

Height(ft)	Center Beam Footcandle	Beam Spread(ft)		Field Spread(ft)	
		Horizontal	Vertical	Horizontal	Vertical
2.0	156.1 fc	6.2	5.3	9.1	6.7
4.0	39.0 fc	12.3	10.7	18.3	13.3
8.0	17.3 fc	18.5	16.0	27.4	20.0
10.0	9.8 fc	24.6	21.4	36.5	26.6
12.0	6.2 fc	30.8	26.7	45.7	33.3
		37.0	32.0	54.8	39.9
		Beam Angle		Field Angle	
		114.0°		132.7°	
		106.3°		118.0°	

LED Compact Flood

Applications
Car Dealerships
Convenience Stores
Common Walkways
Gas Stations
Parking Areas
Schools
Markets
Commercial
Industrial
Residential

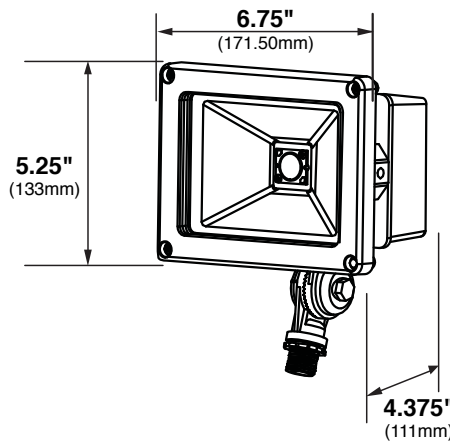
Long-lasting, low maintenance, energy efficient replacements for Quartz and HID luminaires



Specifications

- Operating temperature range is -40°F (-40°C) to 113°F (45°C)
- Die-cast aluminum housing and removable lens frame
- Textured architectural bronze powdercoat finish
- Silicone gaskets protect against rust, corrosion, dirt and insects
- Clear flat glass lens
- Multiple mounting options
- Removable 1/2" threaded plugs with O-rings for conduit access and photocell provision
- Electrical snap-in connectors to simplify wiring and installation
- Voltage sensing 100-277V dimmable driver
- CSA Listed for wet locations
- 5-year limited warranty

Dimensions



Ordering Information



Watt	Product #	Product Code	Volts	Color Temp.	CRI	Lumens	Useful Life*	Pkg. Qty.	DLC Qualified	Equivalent Wattage
21	99900	FL1C/CL21BZ50/LED	100-277V	5000K	84	1584	50,000	1	Yes	100W

* Useful Life is defined as the point in time at which the lamp will maintain at least 70% of its initial lumens. The lamp will continue to burn past this point, but at decreased light levels.

Warranty – Commercial / Industrial: This product is warranted for 5 years from the date of purchase, based on 10 hours of use per day.

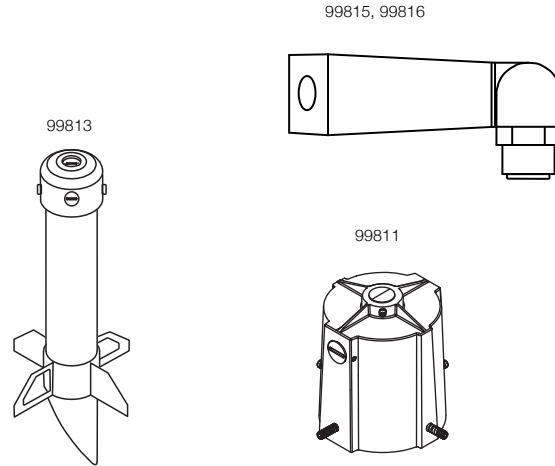
** Check the latest update at www.DesignLights.org for listed product catalog numbers. Not all versions are listed.

LED Compact Flood

Accessories

Product	Product Code	Description
99811	PTF/FL	Post Top Fitter Flood for 99900
99813	HDGS/FL	Heavy Duty Ground Stake for 99900
99815	PCS/120V	Photocell Swivel 110-130V
99816	PCS/277V	Photocell Swivel 208-277V

Accessories



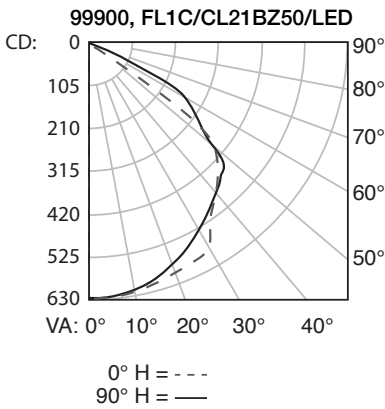
Accessories include hardware.

Warranty – Commercial / Industrial: This product is warranted for 1 year from the date of purchase, based on 10 hours of use per day.

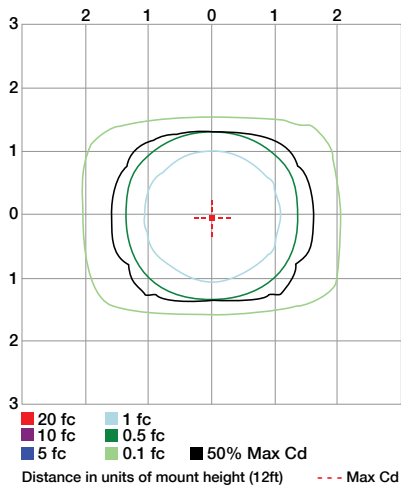
* Useful Life is defined as the point in time at which the LED will maintain at least 70% of its initial lumens. The LED will continue to operate past this point at decreased light levels. May not be compatible with all dimming systems, dimming performance may vary by system.

Photometrics

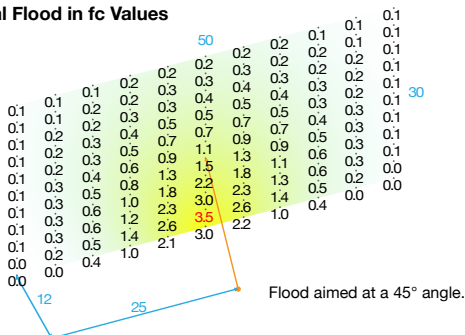
Polar Candela Distribution Plot



Isofootcandle Plot



Visual Flood in fc Values



Illuminance at a Distance

Height(ft)	Center Beam Footcandle	Beam Spread(ft)		Field Spread(ft)	
		Horizontal	Vertical	Horizontal	Vertical
2.0	156.1 fc	6.2	5.3	9.1	6.7
4.0	39.0 fc	12.3	10.7	18.3	13.3
8.0	9.8 fc	24.6	21.4	36.5	26.6
10.0	6.2 fc	30.8	26.7	45.7	33.3
12.0	4.3 fc	37.0	32.0	54.8	39.9
		Beam Angle		Field Angle	
		114.0°	106.3°	132.7°	118.0°

LED Low Profile Canopy

Applications

- Car Dealerships
- Canopies
- Gas Stations
- Loading Docks
- Service Areas

Markets

- Commercial
- Industrial

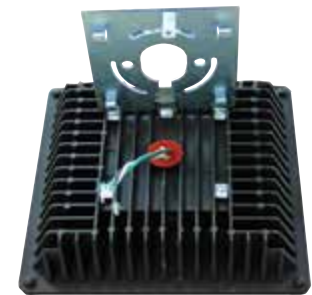
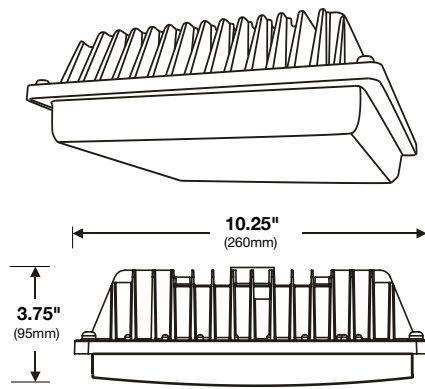
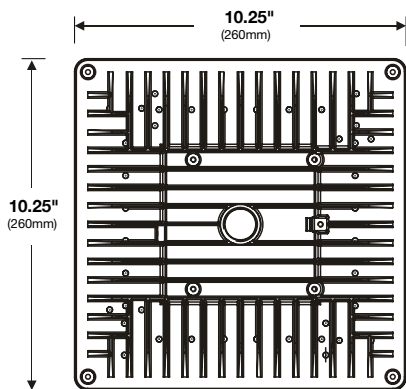
A high power, long-lasting LED canopy with a shallow profile designed for outdoor applications



Specifications

- Operating temperature range; -40°F (-40°C) to 113°F (45°C)
- 3.75" thin design with low glare lens
- Die-cast aluminum housing
- Dark bronze powder coat finish
- Low glare, polycarbonate diffuser
- Optional pendant mounting (3/4" NPT)
- Universal voltage driver, 120-277V
- UL listed for wet locations
- IP65 rated for outdoor use
- Easy to install, hands free wiring
- 5-year limited warranty

Dimensions



Quick Mount Hands Free Wiring

Ordering Information



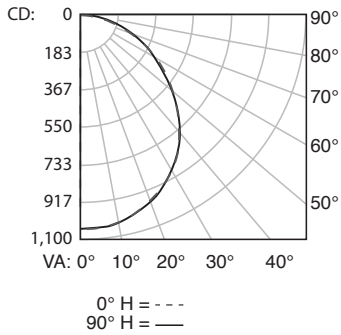
Watt	Product #	Product Code	Volts	Color Temp.	CRI	Lumens	Useful Life*	Pkg. Qty.	Fixture Size L x H	Weight	Equivalent Wattage
33	99913	CMS1/CL33BZ50/LED	120-277	5000K	73	2976	50,000	1	10.25" x 3.75"	8.3 lbs. (3.7kg)	70W Metal Halide
58	99914	CMS2/CL58BZ50/LED	120-277	5000K	73	5524	50,000	1	10.25" x 3.75"	8.3 lbs. (3.7kg)	150W Metal Halide

* Useful Life is defined as the point in time at which the lamp will maintain at least 70% of its initial lumens. The lamp will continue to burn past this point, but at decreased light levels.
 ** Check the latest update at www.DesignLights.org for listed product catalog numbers. Not all versions are listed.
 Warranty – Commercial / Industrial: This product is warranted for 5 years from the date of purchase, based on 10 hours of use per day.
 IP65 rated – this lamp is rated for use outdoors where exposed directly to water from rain or irrigation. The lamp is not submersible, not for this type of enclosed fixture.

LED Low Profile Canopy

Photometrics

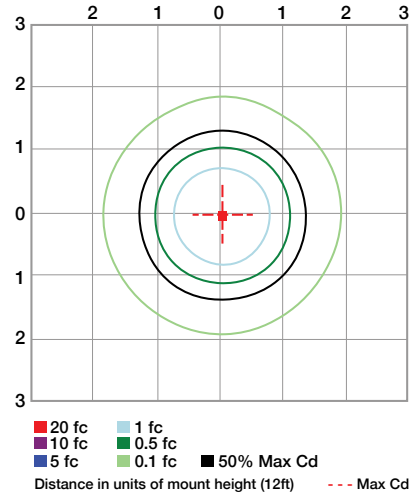
Polar Candela Distribution Plot



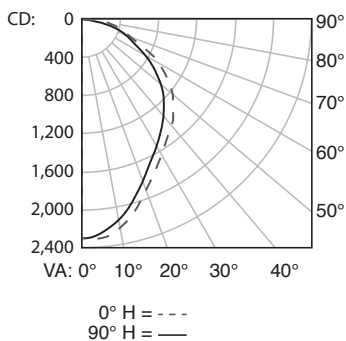
Illuminance at a Distance

Height(ft)	Center Beam Footcandle	Beam Spread(ft)		Field Spread(ft)	
		Horizontal	Vertical	Horizontal	Vertical
8.0	16.4 fc	21.1	21.1	121.2	126.7
12.0	7.3 fc	31.6	31.6	181.8	190.1
16.0	4.1 fc	42.1	42.1	242.4	253.5
20.0	2.6 fc	52.6	52.6	303.0	316.9
		Beam Angle		Field Angle	
		105.6°	105.5°	165.0°	165.6°

Isofootcandle Plot

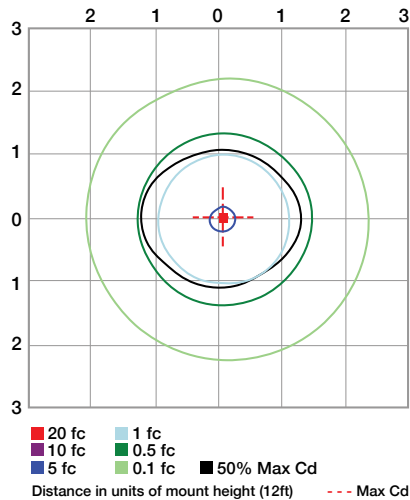


Polar Candela Distribution Plot



Illuminance at a Distance

Height(ft)	Center Beam Footcandle	Beam Spread(ft)		Field Spread(ft)	
		Horizontal	Vertical	Horizontal	Vertical
8.0	36.1 FC	17.1	16.9	92.4	91.8
12.0	16.0 FC	25.6	25.3	138.7	137.6
16.0	9.0 FC	34.2	33.8	184.9	183.5
20.0	5.8 FC	42.7	42.2	231.1	229.4
		Beam Angle		Field Angle	
		93.7°	93.1°	160.4°	160.2°



LED Large Canopy

Applications

Car Dealerships
Convenience Stores
Common Walkways
Gas Stations
Parking Areas
Schools
Markets
Commercial
Industrial
Residential

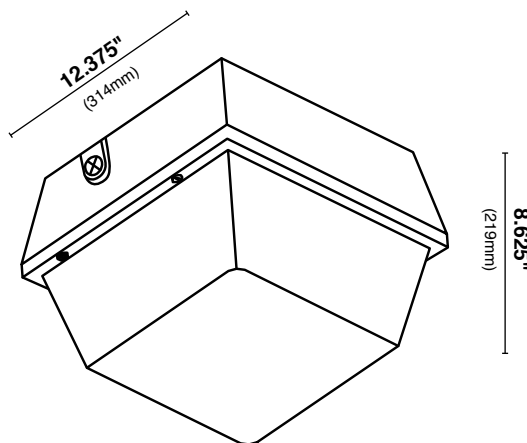
Long-lasting, low maintenance, energy efficient replacements for HID luminaires



Specifications

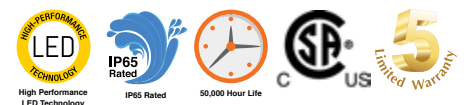
- Operating temperature range is -40°F (-40°C) to 113°F (45°C)
- Die-cast aluminum housing and hinged lens frame with captive screws
- Textured architectural bronze powdercoat finish
- Silicone gaskets protect against rust, corrosion, dirt and insects
- Vandal proof clear polycarbonate prismatic lens with captive screws
- Mounts directly over a 4" recessed outlet box
- Removable 1/2" threaded plugs with O-rings for conduit access and photocell provision
- Electrical snap-in connectors to simplify wiring and installation
- Voltage sensing 100-277V dimmable driver
- CSA Listed for wet locations
- 5-year limited warranty

Dimensions



Ordering Information

Watt	Product #	Product Code	Volts	Color Temp.	CRI	Lumens	Useful Life*	Pkg. Qty.	Dimmable	Equivalent Wattage
53	99906	CM2/CL53BZ50/LED	100-277V	5000K	85	4735	50,000	1	0-10V	175W



* Useful Life is defined as the point in time at which the LED will maintain at least 70% of its initial lumens. The LED will continue to operate past this point at decreased light levels. May not be compatible with all dimming systems, dimming performance may vary by system.

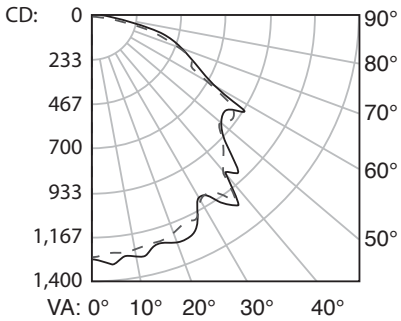
LED Large Canopy



Photometrics

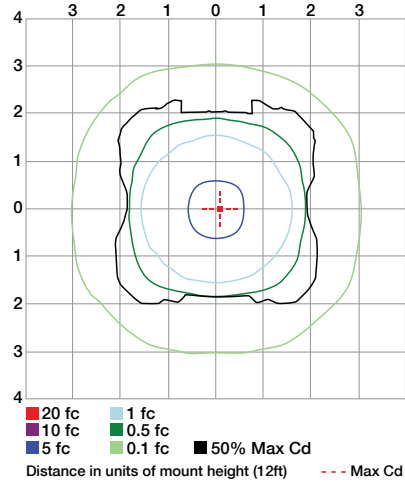
Polar Candela Distribution Plot

99906, CM2/CL53BZ50/LED



0° H = - - -
90° H = —

Isofootcandle Plot



Illuminance at a Distance

Height(ft)	Center Beam	Beam Spread(ft)		Field Spread(ft)	
	Footcandle	Horizontal	Vertical	Horizontal	Vertical
2.0	319.7 fc	7.6	7.6	44.8	45.3
4.0	79.9 fc	15.2	15.2	89.6	90.5
0.0	35.5 fc	22.9	22.9	134.5	135.8
0.0	20.0 fc	30.5	30.5	179.3	181.1
10.0	12.8 fc	38.1	38.1	224.1	226.3
12.0	8.9 fc	45.7	45.7	268.9	271.6
		Beam Angle		Field Angle	
		124.6°	124.6°	169.8°	169.9°

LED Dusk to Dawn Series

Applications
Security Lighting
Yards
Parking Lots
Roadways
Markets
Commercial
Industrial
Residential

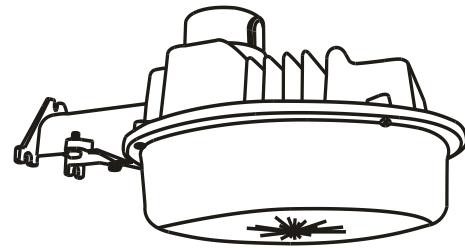
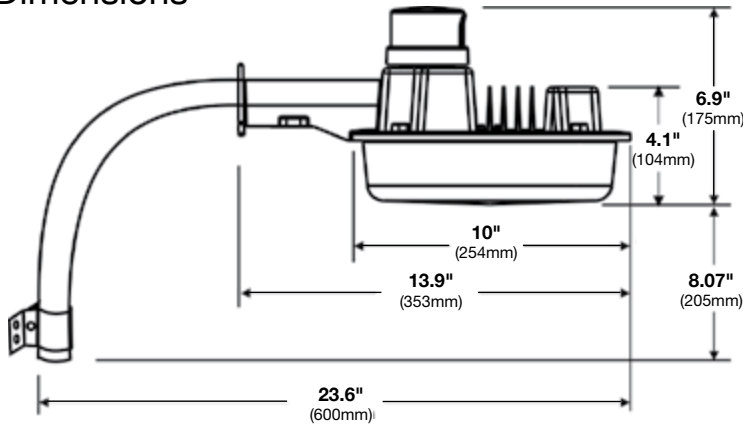
A high performance, low maintenance LED luminaire designed for harsh outdoor environments



Specifications

- Operating temperature range; -40°F (-40°C) to 113°F (45°C)
- Die-cast aluminum housing
- Gray powder coat finish
- High impact polycarbonate lens
- NEMA approved photocell to automatically switch on/off
- 21" Aluminum arm extension for wall/pole mounting
- Universal voltage driver, 120-277V
- UL listed for wet locations
- IP65 rated for outdoor use
- Available in pole and wall mount designs (not for ceiling mount)
- 5-year limited warranty

Dimensions



Ordering Information



Watt	Product #	Product Code	Volts	Color Temp.	CRI	Lumens	Useful Life*	Pkg. Qty.	Fixture Size L x W x H	Weight	Equivalent Wattage
41	99915	DD1/CL41GY50/LED	120-277	5000K	75	3194	50,000	1	13.9" x 10" x 6.9"	6.2 lbs. (2.8kg)	100W HID
58	99916	DD2/CL58GY50/LED	120-277	5000K	75	5542	50,000	1	13.9" x 10" x 6.9"	6.2 lbs. (2.8kg)	175W HID

* Useful Life is defined as the point in time at which the lamp will maintain at least 70% of its initial lumens. The lamp will continue to burn past this point, but at decreased light levels.

** Check the latest update at www.DesignLights.org for listed product catalog numbers. Not all versions are listed.

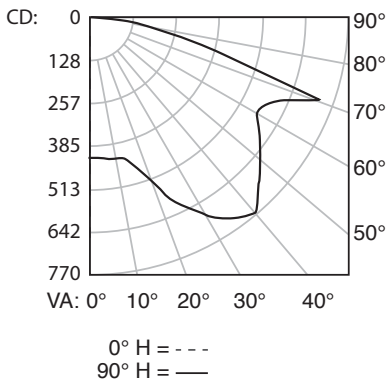
Warranty – Commercial / Industrial: This product is warranted for 5 years from the date of purchase, based on 10 hours of use per day.

IP65 rated – this lamp is rated for use outdoors where exposed directly to water from rain or irrigation. The lamp is not submersible, not for this type of enclosed fixture.

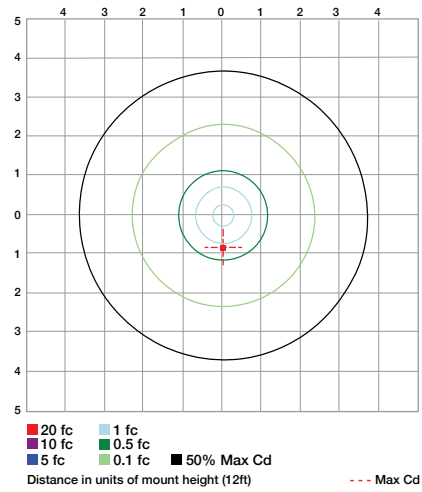
LED Dusk to Dawn Series

Photometrics

Polar Candela Distribution Plot



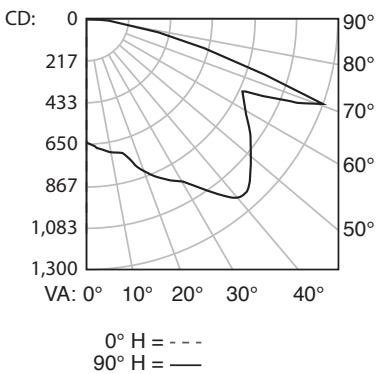
Isofootcandle Plot



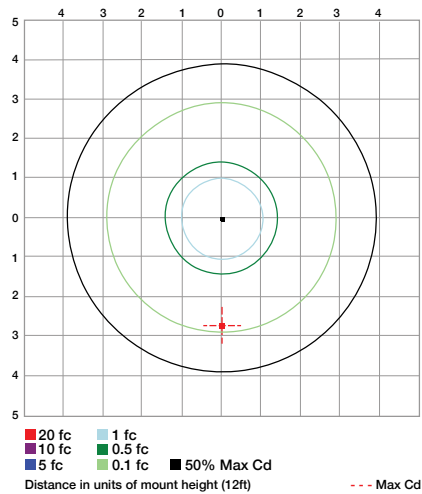
Illuminance at a Distance

Height(ft)	Center Beam	Beam Spread(ft)		Field Spread(ft)	
	Footcandle	Horizontal	Vertical	Horizontal	Vertical
8.0	6.5 fc	59.0	44.0	166.7	127.3
12.0	2.9 fc	88.4	66.0	250.1	190.9
16.0	1.6 fc	117.9	88.5	333.4	254.6
20.0	1.0 fc	147.4	110.0	416.8	318.2
		Beam Angle		Field Angle	
		149.6°	140.0°	169.0°	165.7°

Polar Candela Distribution Plot



Isofootcandle Plot



Illuminance at a Distance

Height(ft)	Center Beam	Beam Spread(ft)		Field Spread(ft)	
	Footcandle	Horizontal	Vertical	Horizontal	Vertical
8.0	10.0 FC	12.4	15.2	182.5	61.8
12.0	4.5 FC	18.6	22.8	273.7	92.8
16.0	2.5 FC	24.8	30.4	364.9	123.7
20.0	1.6 FC	31.0	38.1	456.1	154.6
		Beam Angle		Field Angle	
		75.6°	87.1°	170.0°	151.0°

LED Vaportight Series

Applications

Ideal to use where Dust, Dirt, Humidity and Moisture are Present.

Markets

Commercial
Industrial

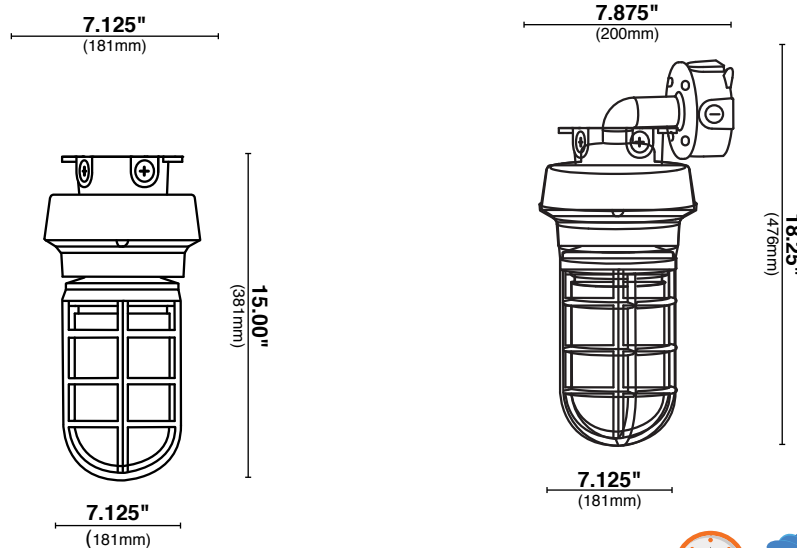
Long-lasting, low maintenance, energy efficient replacement for Incandescent and HID luminaires



Specifications

- Operating temperature range is -40°F (-40°C) to 113°F (45°C)
- Die-cast aluminum housing with screw-on guard
- Repaintable textured gray powdercoat finish
- Silicone gaskets protect against rust, corrosion, dirt and insects
- Clear glass globe
- Removable 1/2" threaded plugs with O-rings for conduit access and photocell provision
- Weatherproof box with removable threaded 3/4" plugs and O-rings for 3/4" conduit access
- Electrical snap-in connectors to simplify wiring and installation
- Voltage sensing 100-277V dimmable driver
- CSA Listed for wet locations
- 5-year limited warranty

Dimensions



Ordering Information



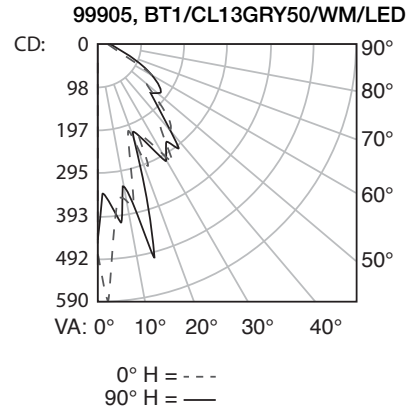
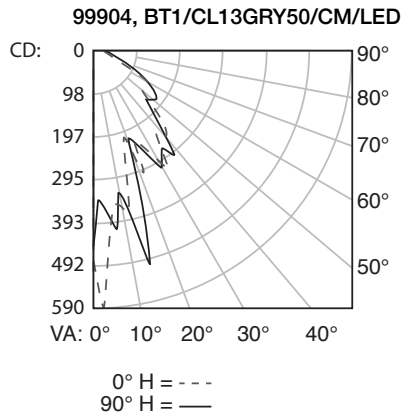
Watt	Product #	Product Code	Volts	Color Temp.	CRI	Lumens	Useful Life*	Pkg. Qty.	Dimmable	Equivalent Wattage
13	99904	VT1/CL13GRY50/CM/LED	100-277V	5000K	80+	911	50,000	1	0-10V	70W HID
13	99905	VT1/CL13GRY50/MM/LED	100-277V	5000K	80+	911	50,000	1	0-10V	70W HID

* Useful Life is defined as the point in time at which the lamp will maintain at least 70% of its initial lumens. The lamp will continue to burn past this point, but at decreased light levels.
Warranty – Commercial / Industrial: This product is warranted for 5 years from the date of purchase, based on 10 hours of use per day.
IP65 rated – this lamp is rated for use outdoors where exposed directly to water from rain or irrigation. The lamp is not submersible, not for this type of enclosed fixture.

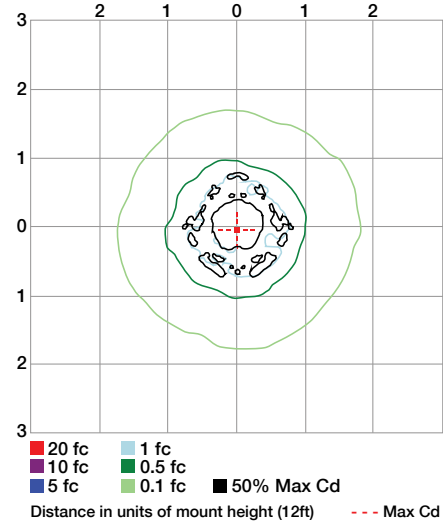
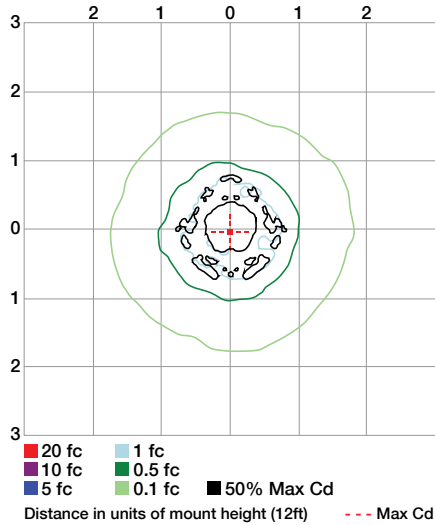
LED Vaportight Series

Photometrics

Polar Candela Distribution Plots



Isofootcandle Plot



Illuminance at a Distance

Height(ft)	Center Beam	Beam Spread(ft)		Field Spread(ft)	
	Footcandle	Horizontal	Vertical	Horizontal	Vertical
2.0	115.3 fc	1.2	1.3	11.2	11.9
4.0	28.8 fc	2.4	2.7	22.3	23.8
8.0	12.8 fc	3.6	4.0	33.5	35.7
10.0	7.2 fc	4.8	5.3	44.7	47.5
12.0	4.6 fc	6.0	6.7	55.9	59.4
12.0	3.2 fc	7.2	8.0	67.0	71.3
		Beam Angle		Field Angle	
		33.4°	36.9°	140.6°	142.8°

Illuminance at a Distance

Height(ft)	Center Beam	Beam Spread(ft)		Field Spread(ft)	
	Footcandle	Horizontal	Vertical	Horizontal	Vertical
2.0	115.3 fc	1.2	1.3	11.2	11.9
4.0	28.8 fc	2.4	2.7	22.3	23.8
8.0	12.8 fc	3.6	4.0	33.5	35.7
10.0	7.2 fc	4.8	5.3	44.7	47.5
12.0	4.6 fc	6.0	6.7	55.9	59.4
12.0	3.2 fc	7.2	8.0	67.0	71.3
		Beam Angle		Field Angle	
		33.4°	36.9°	140.6°	142.8°

DecoStrand

Applications

Restaurants

Cafes

Exterior Retail Areas

Parks

Home Patios

Markets

Residential

Commercial

Decorative accent strand lighting for indoor/outdoor applications



Reflector sold separately

Specifications

- 52' cable length with 25, 4" medium base (E26) socket drops
- Heavy duty 14 AWG SJTW molded silicone resin cable for maximum durability, indoors and out
- Fully grounded, three-conductor wire provides peace of mind safety
- Three conductor socket on one end allows for system expansion and continual run capabilities
- Available reflectors (sold separately) create uniquely styled appearance
- DecoStrand features one of the industry's broadest offering of reliable LED, Incandescent and Speciality lamps
- 2-year limited warranty



DSL/FSTR-NF

DecoStrand™ Reflector

- Decorative reflector for use on DecoStrand decorative string lighting systems
- Adds a unique and charming appearance for a variety of environments
- Formed steel with a protective zinc coating for lasting durability
- Easily mounts to the DecoStrand socket, with tools, in seconds

Ordering Information



Product #	Product Code	Description	Weight	Pkg. Qty.
NEW 99962	DSL/52254M/3G-BK	Decorative strand lighting 52ft long 25 E26 sockets 4in drops 3 wire grounded	8.55	1/1
NEW 99963	DSL/FSTR-NF	Decorative strand steel reflector natural finish	0.20	1/25

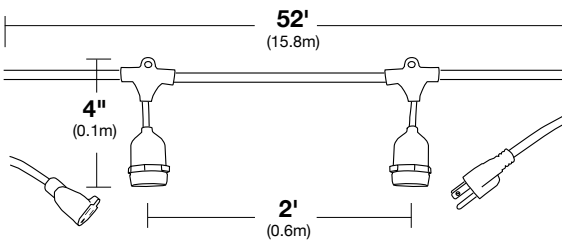
NEW ITEM

Warranty – Commercial / Industrial: This product is warranted for 2 years from the date of purchase.

DecoStrand



Dimensions



Recommended Lamps

Product #	Product Code	Watts	Color Temp.
80522	S14CL1C/827/LE	1.4W	2700K
20006	ST18ANT40	40	2500K
9051	S14CL1	11	
20002	A21ANT40	40	2500K

For the complete ProLED offering of lamps see HalcoLighting.com

U.S. Department of Energy estimates LEDs offer the potential for cutting general lighting energy use nearly in half by 2030.

ENERGY STAR®

Halco is a proud ENERGY STAR® partner. ENERGY STAR® is a voluntary program by the U.S. Environmental Protection Agency that aims to educate and increase awareness of energy saving and environmentally friendly products. Halco boasts a portfolio of ENERGY STAR® qualified products, specifically in our ProLED and ProLume Compact Fluorescent product offerings.



The Design Lights Consortium®

The Design Lights Consortium (DLC) is intended to accelerate energy efficiency in the building sector through public policy, program strategies and education. The DLC promotes quality, performance and energy commercial sector lighting solutions. Halco ProLED luminaires and T8 Linear lamps are on the DLC Qualified Product List.



LED Lighting Facts®

Halco is a participating partner of the U.S. Department of Energy (DOE) LED Lighting Facts® program, which assures that the performance of LED lighting products is accurately represented. The program helps manage the adoption of the new technology by mandating the use of a label that verifies the product has been tested according to industry standard procedures and that those results are accurately presented. The DOE LED Lighting Facts® label identifies light output, wattage, efficacy, correlated color temperature (CCT) and color rendering index (CRI).



Halco also complies with Federal Trade Commission (FTC) Lighting Facts labeling regulations of medium base screw lamps. Similar to the DOE program, the FTC program establishes consistency among manufacturers so that consumers can easily identify LED product specifications. The FTC label requires lumen output, estimated annual energy cost, life expectancy, color temperature, wattage and mercury content, if applicable.

Lighting Facts/Datos de Iluminación	
Per Bulb/Por Bombilla	
Brightness/Brillo	830 lumens/lúmenes
Estimated Yearly Energy Cost/ Costo Estimado Anual de Energía	\$1.20
Based on 3 hrs/day, 11¢/kWh. Cost depends on rates and use. / Basado en 3 hrs/día, 11¢/kWh. Costo depende de la tarifa y el uso.	
Life/Duración	22.8 years/años
Based on 3 hrs/day / Basado en 3 hrs/día	
Light Appearance/Apariencia de Iluminación	Cool/Fría
Warm/Cálida	
3000K	
Energy Used/Usado de Energía	10 watts/vatios



ProLED[®]
ProLume[®]
HaloXen[®]
PRISM[®]
CoverShield[®]
sollos[®]
LANDSCAPE LIGHTING

Halco[®]
LIGHTING TECHNOLOGIES

800.677.3334
FAX: 800.880.0822
www.halcolighting.com

Atlanta
2940 Pacific Drive
Norcross, GA 30071

Houston
6323 Brookhill Drive
Houston, TX 77087

Cleveland
3501 Croton Avenue
Cleveland, OH 44115

Los Angeles
10513 Hataway Drive
Santa Fe Springs, CA 90670

Carlstadt
600 Gotham Parkway, Unit 2
Carlstadt, NJ 07072

Phoenix
6607 W. Boston Street, Suite 1
Chandler, AZ 85226